



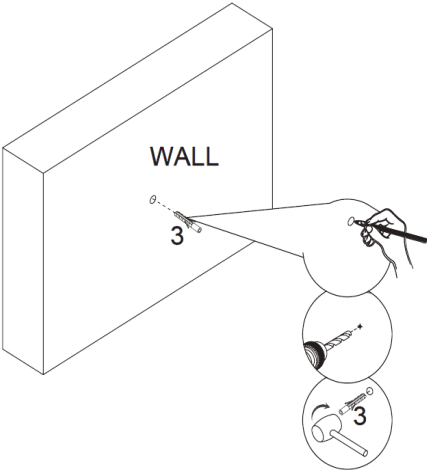


| PART LIST | FIGURE | QUANTITY | DESCRIPTION |
|-----------|---|----------|--------------------------------|
| 1 |  | 1 PC | LONG SCREW (5/16" X 1 3/8") |
| 2 |  | 1 PC | SHORT SCREW (1/8" x 1/2") |
| 3 |  | 1 PC | WALL ANCHOR |
| 4 |  | 1 PC | STRAP |

STEP 1

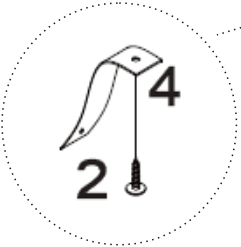
A. DETERMINE WHERE THE STORAGE UNIT IS TO BE PLACED, THEN MARK THE POSITION ON THE WALL SO THE WALL ANCHOR (3) WILL ALIGN WITH THE STRAP (4) ON THE BACK OF THE STORAGE UNIT.

B. DRILL HOLE IN THE WALL. PRESS WALL ANCHOR (3) INTO THE HOLE.



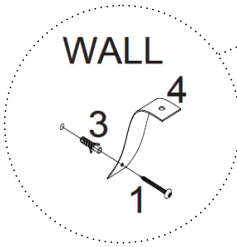
STEP 2

ATTACH STRAP (4) WITH SHORT SCREW (2) TO THE UNDERSIDE OF SHELF (A) USING PHILLIPS HEAD SCREW DRIVER (NOT INCLUDED). TIGHTEN COMPLETELY.



STEP 3

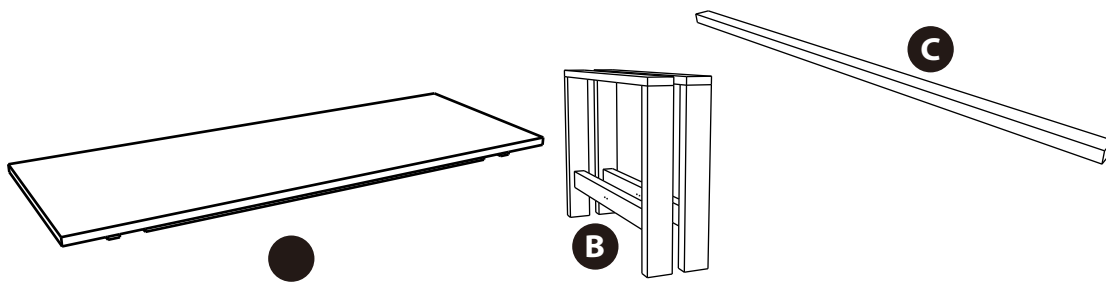
CONNECT STRAP (4) WITH LONG SCREW (1) TO WALL ANCHOR (3) USING PHILLIPS HEAD SCREWDRIVER (NOT INCLUDED). TIGHTEN COMPLETELY







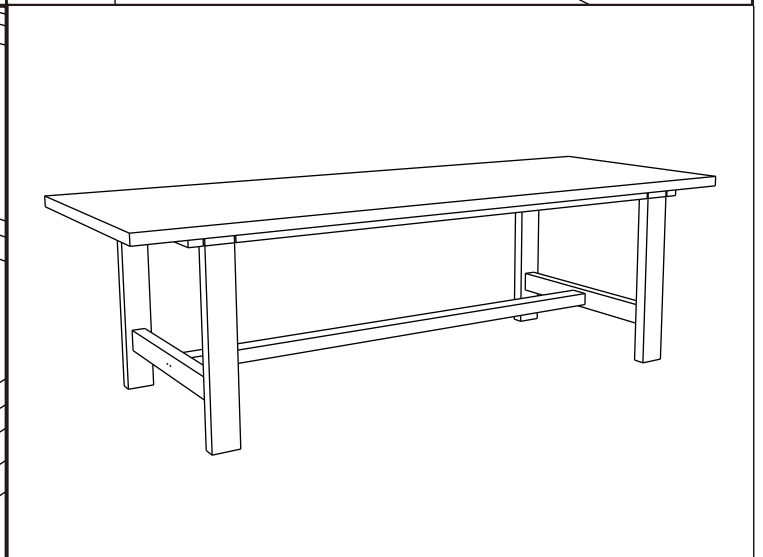
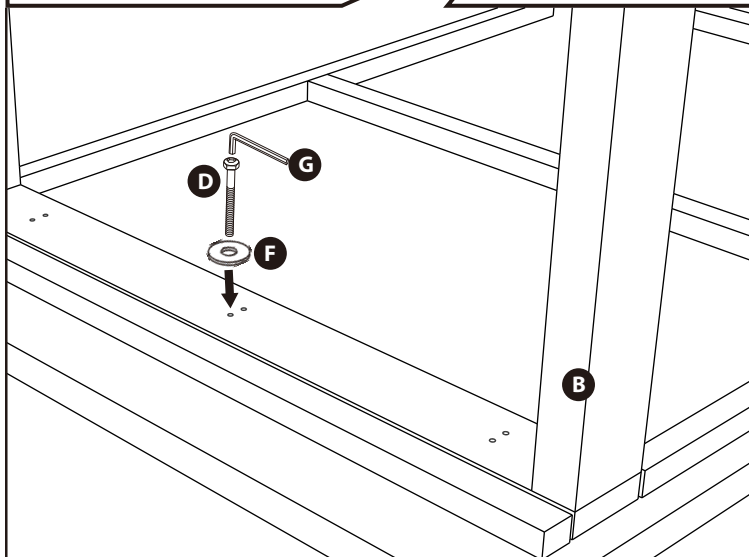
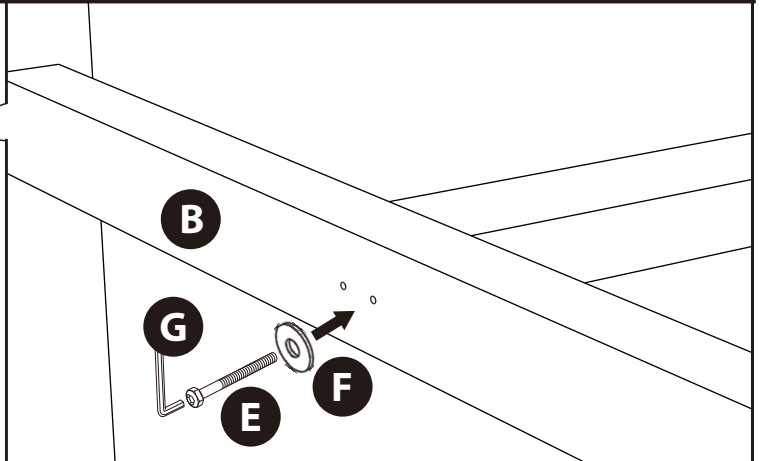
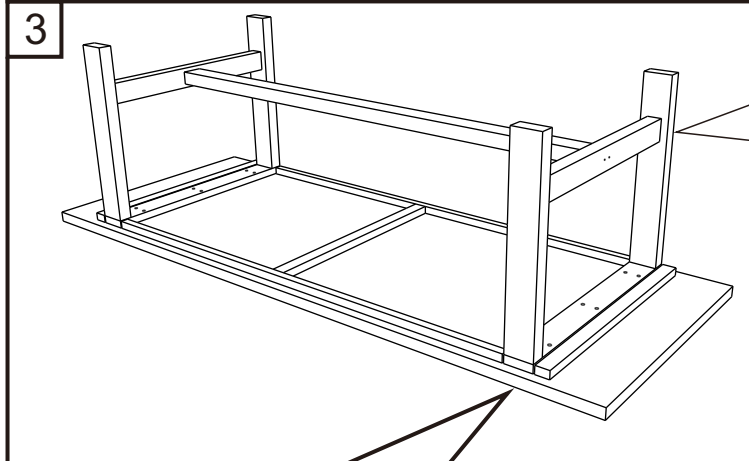
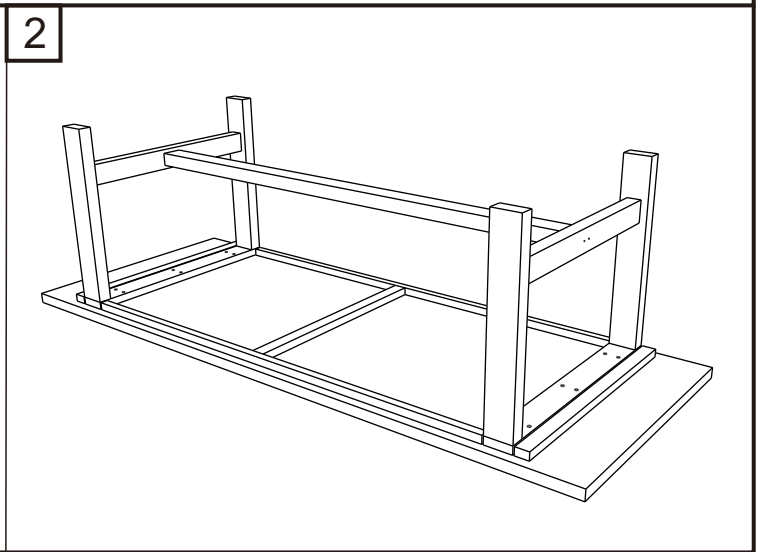
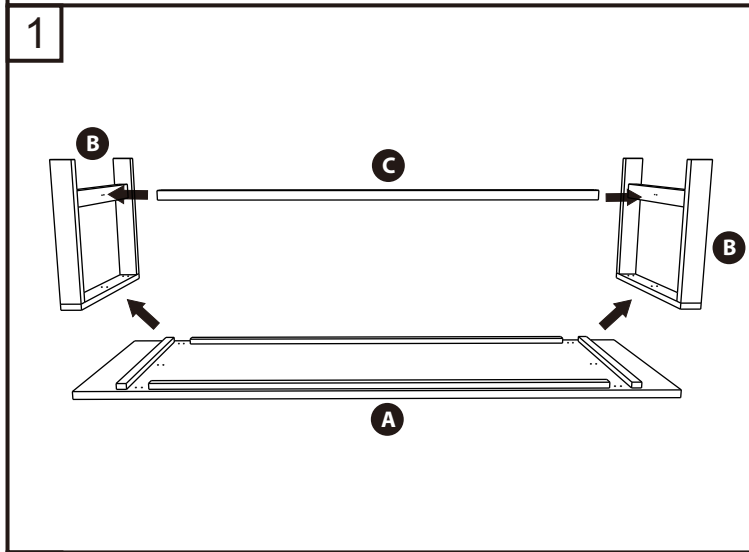
| Component | | | | | | | | |
|-----------|-----------|---|---|-----------|----|---|-----------|---|
| A | Top Part | 1 | D | Bolt 5 cm | 12 | G | Allen Key | 1 |
| B | Legs Part | 2 | E | Bolt 7 cm | 4 | | | |
| C | Cross Bar | 1 | F | Ring | 16 | | | |





Assembling Instruction

5537 / 250



- Bolt **D** 
- Bolt **E** 
- Ring **F** 
- Allen Key **G** 

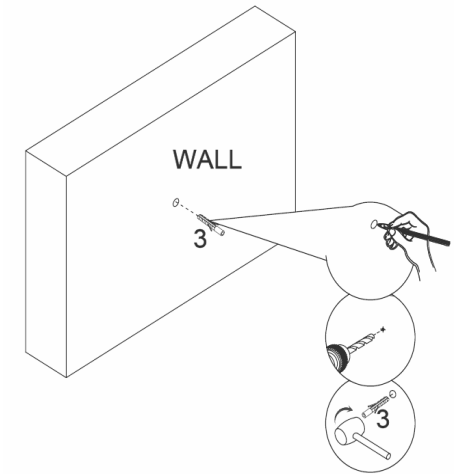


| PART LIST | FIGURE | QUANTITY | DESCRIPTION |
|-----------|---|----------|--------------------------------|
| 1 |  | 1 PC | LONG SCREW (5/16" X 1 3/8") |
| 2 |  | 1 PC | SHORT SCREW (1/8" x 1/2") |
| 3 |  | 1 PC | WALL ANCHOR |
| 4 |  | 1 PC | STRAP |

STEP 1

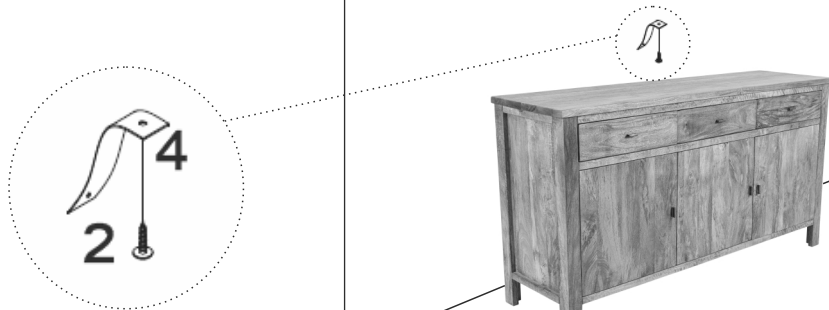
A. DETERMINE WHERE THE STORAGE UNIT IS TO BE PLACED, THEN MARK THE POSITION ON THE WALL SO THE WALL ANCHOR (3) WILL ALIGN WITH THE STRAP (4) ON THE BACK OF THE STORAGE UNIT.

B. DRILL HOLE IN THE WALL. PRESS WALL ANCHOR (3) INTO THE HOLE.



STEP 2

ATTACH STRAP (4) WITH SHORT SCREW (2) TO THE UNDERSIDE OF SHELF (A) USING PHILLIPS HEAD SCREW DRIVER (NOT INCLUDED). TIGHTEN COMPLETELY.



STEP 3

CONNECT STRAP (4) WITH LONG SCREW (1) TO WALL ANCHOR (3) USING PHILLIPS HEAD SCREWDRIVER (NOT INCLUDED). TIGHTEN COMPLETELY

