






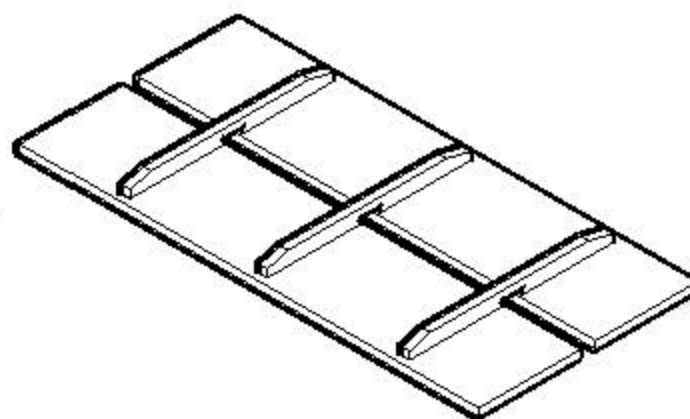
ASSEMBLY INSTRUCTIONS:

R1870 Dining table

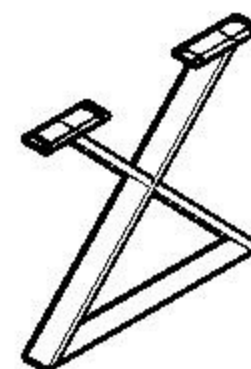
1		M6*20	16pcs
2		M6	1pc
3		Ø18*Ø6	16pcs

 10 MIN

 X2

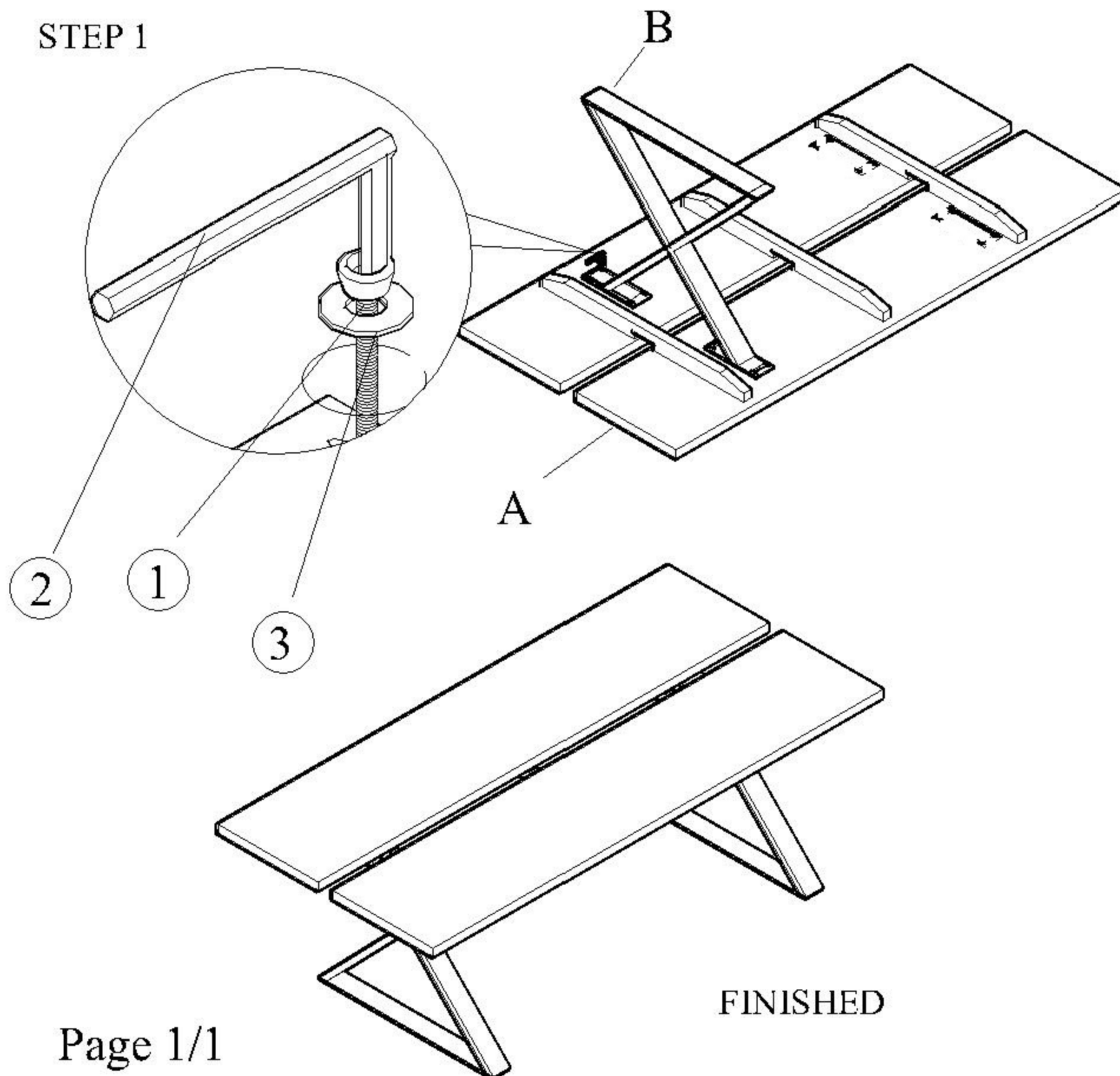


A * 1PC






B * 2PC


STEP 1




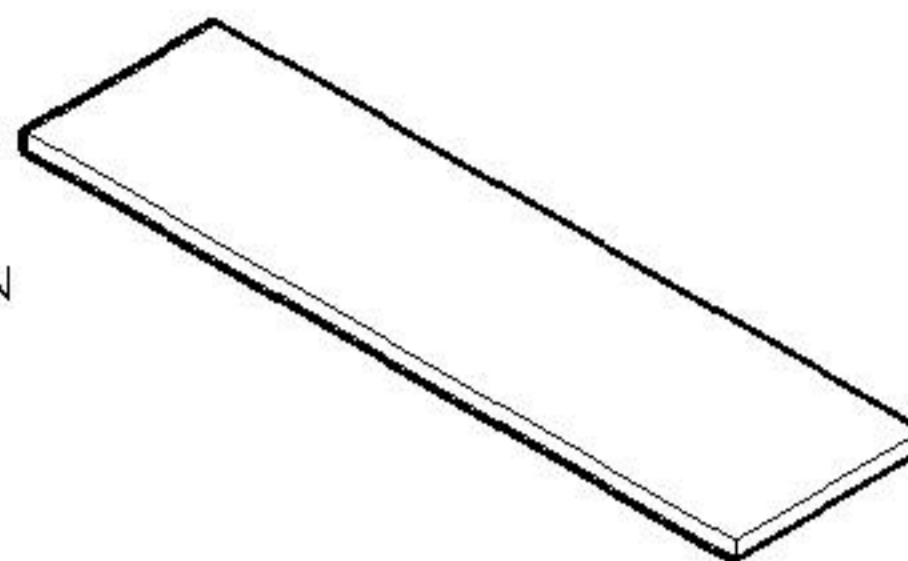
ASSEMBLY INSTRUCTIONS:

R1870 Bench

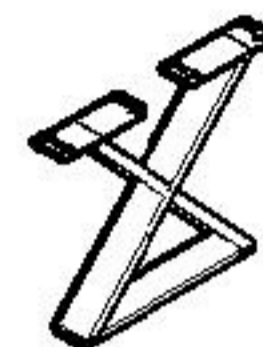
1		M6*20	16pcs
2		M6	1pcs
3		Ø18*Ø6	16pcs

 10 MIN

 X2

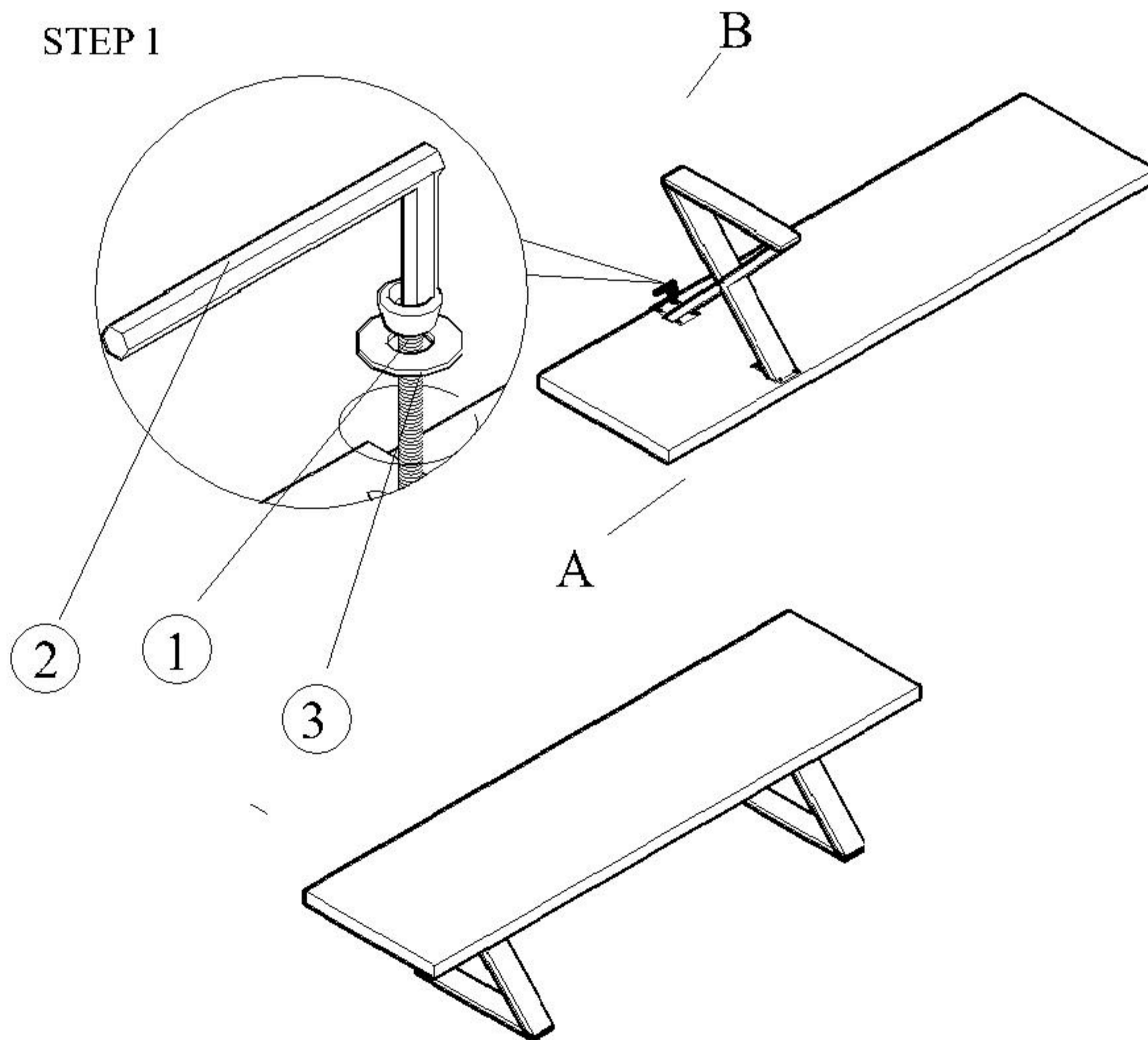


A * 1PC



B * 2PC




STEP 1




FINISHED

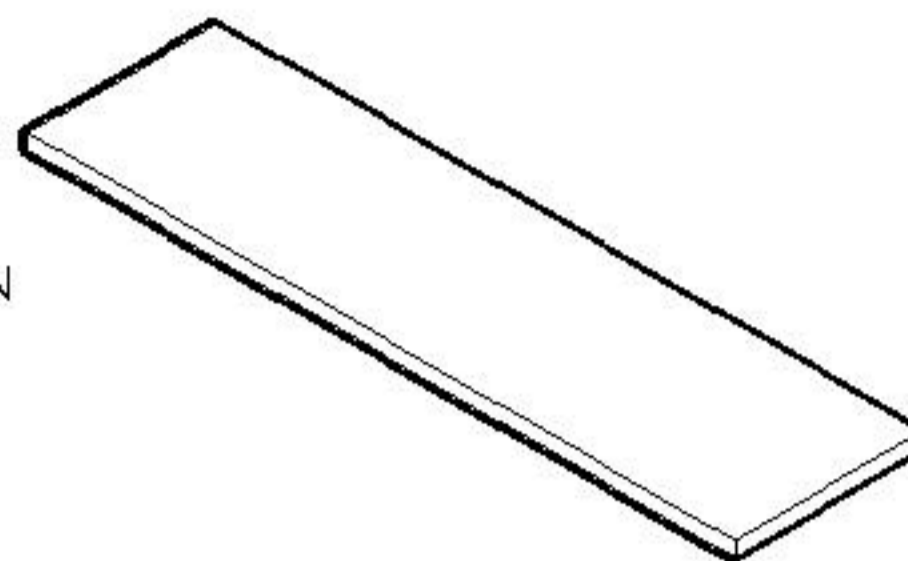
ASSEMBLY INSTRUCTIONS:

R1870 Console table

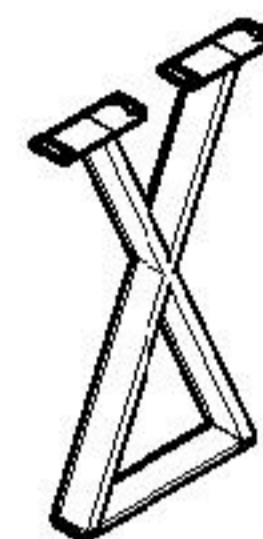
1		M6*20	16pcs
2		M6	1pcs
3		Ø18*Ø6	16pcs

 10 MIN

 X2

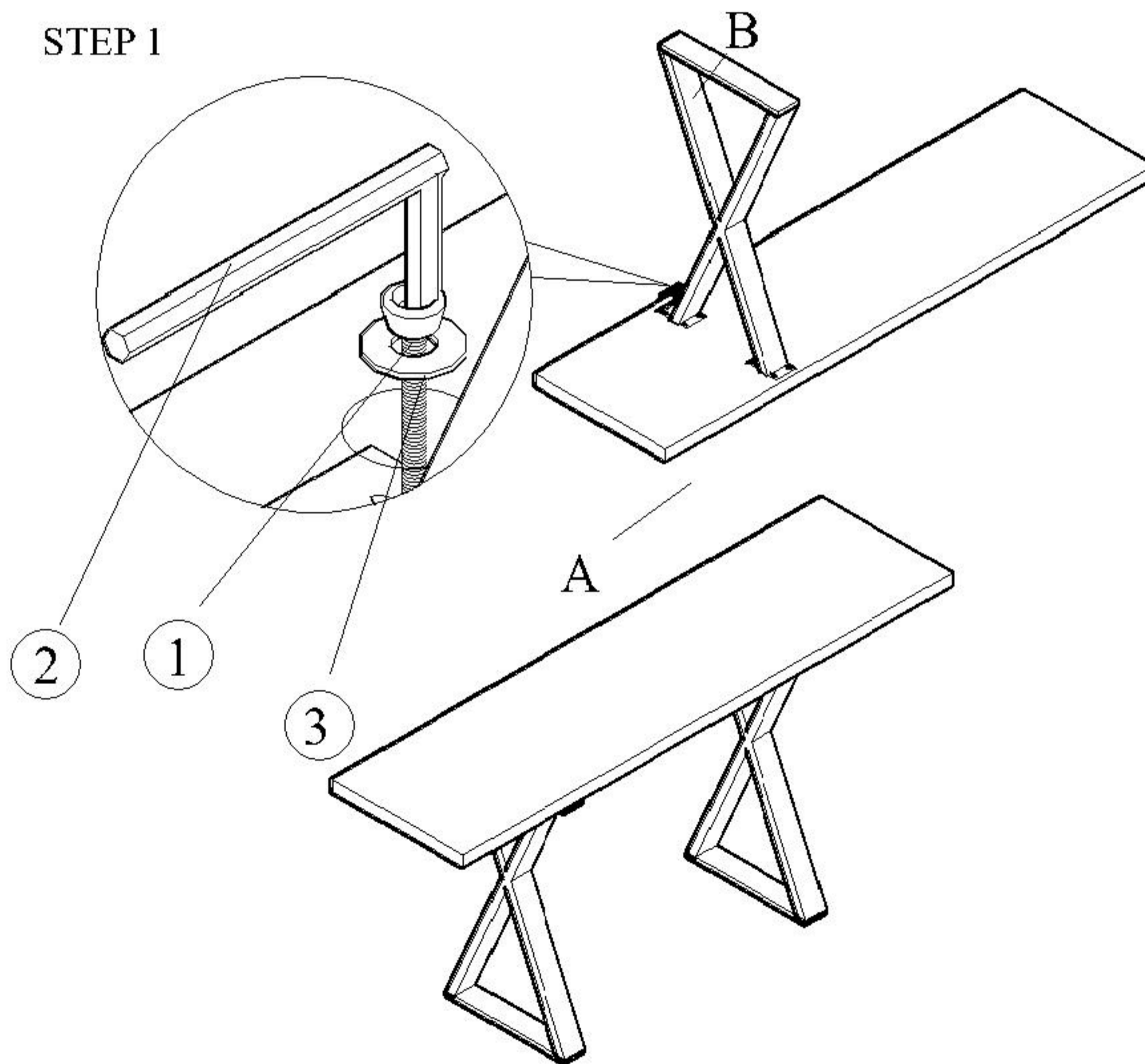


A * 1PC



B * 2PC




STEP 1





FINISHED

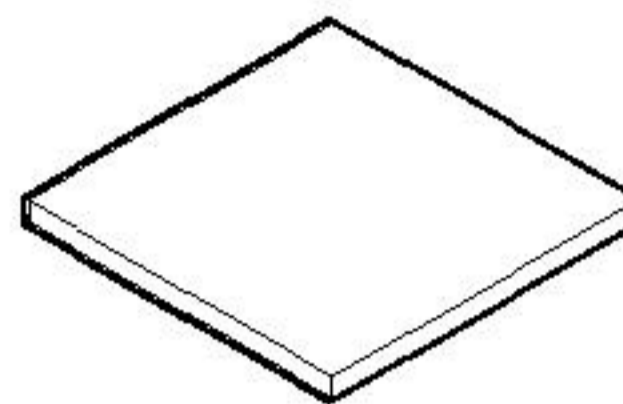
ASSEMBLY INSTRUCTIONS:

R1870 Side table

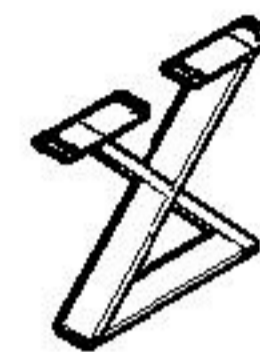
1		M6*20	16pcs
2		M6	1pcs
3		Ø18*Ø6	16pcs

 10 MIN

 X2

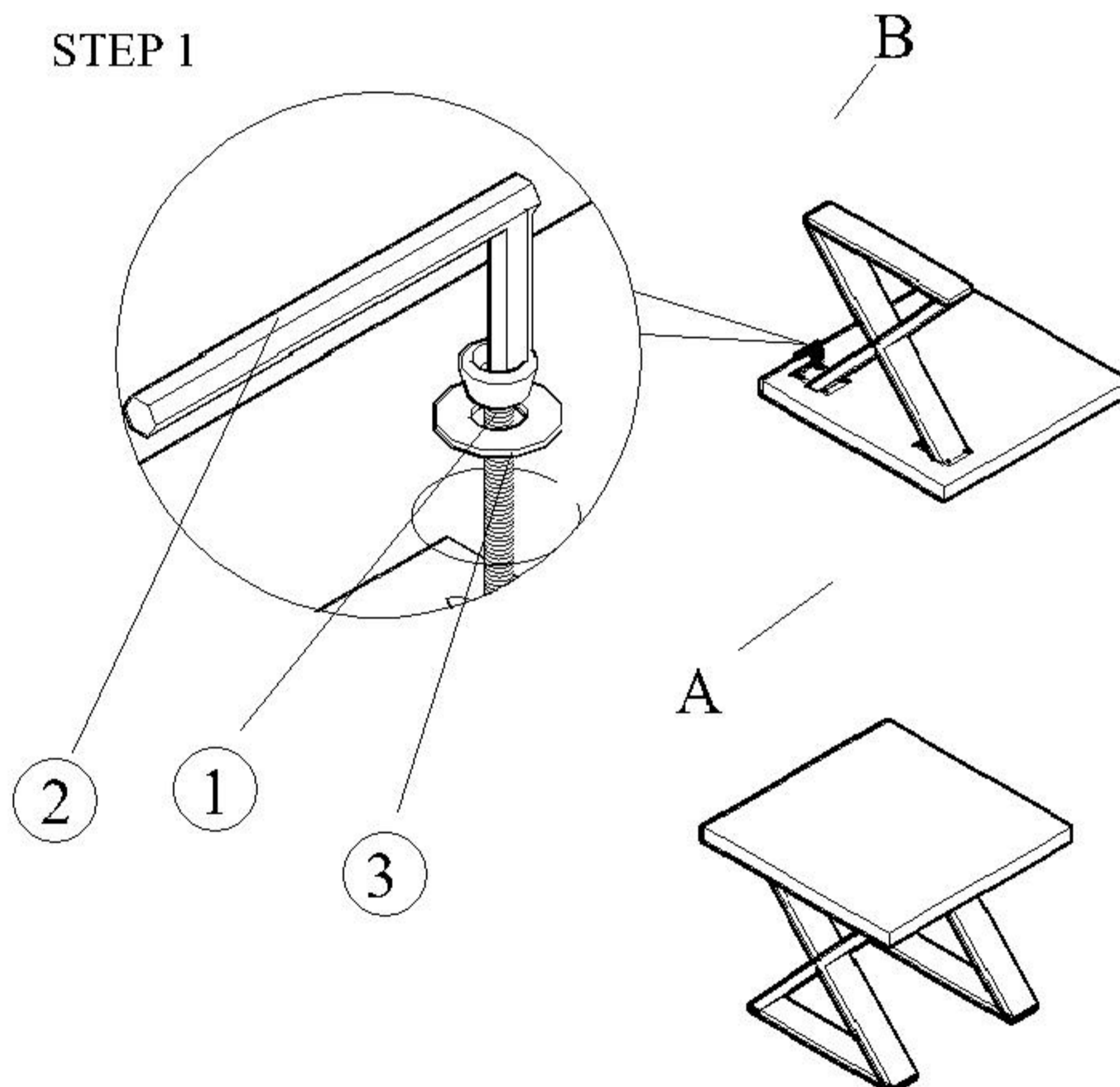


A * 1PC



B * 2PC

STEP 1



FINISHED

