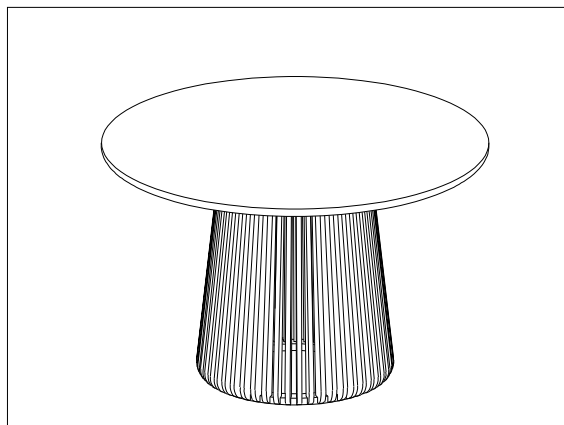


Pre Assembly:

- Please read all instructions before beginning assembly
- Place all parts on a carpet or foam in shipping box. Find the letter (A, B, C,...) on each part and check with below part list to ensure we have all components.
- Save all packing materials until assembly is complete to avoid accidentally discarding smaller parts or hardware.
- This product requires Two peoples to do assembly.



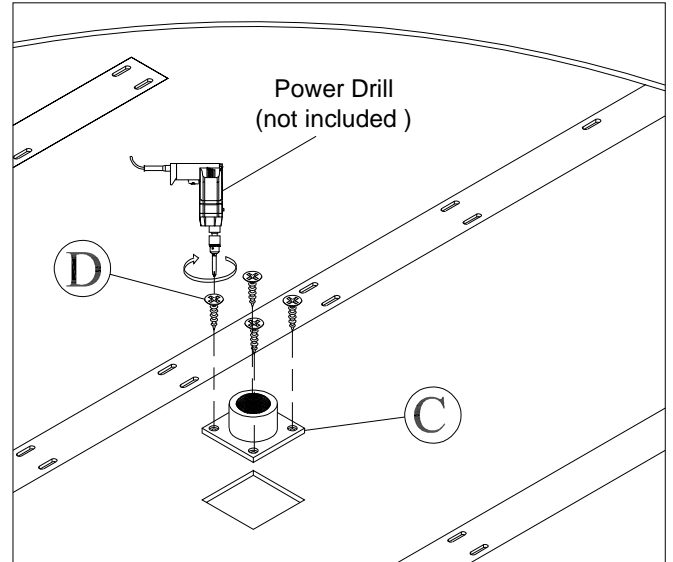
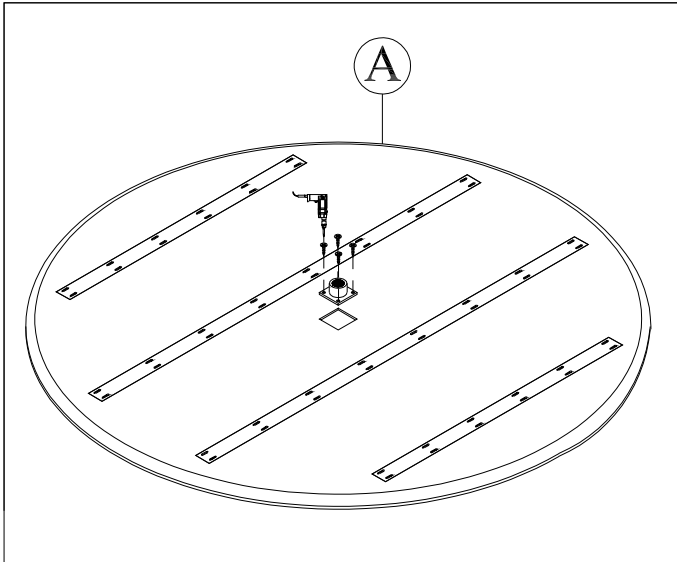
Parts Included:

<p>A - Top Table - 1pc</p> <p>PART 1</p>	<p>B - Body Legs - 1pc</p>
--	----------------------------

<p>C - Bar Metal - 1 pc</p>	<p>D - Screw Ø4 * 20 - 4pcs</p>	<p>Power Drill - not included</p>
-----------------------------	---------------------------------	-----------------------------------

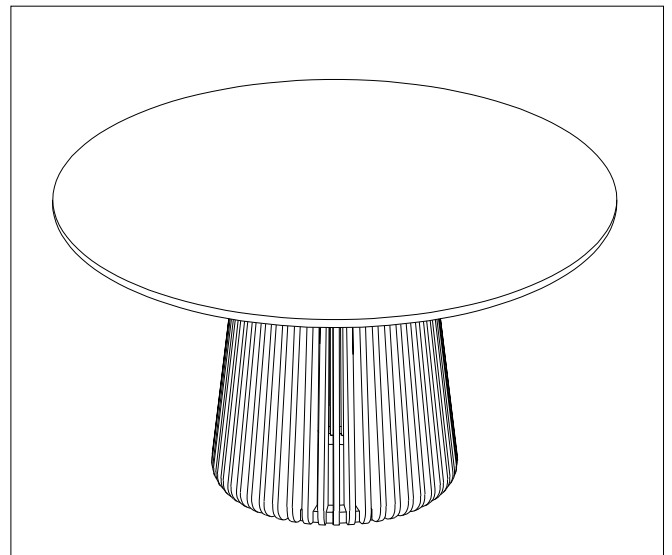
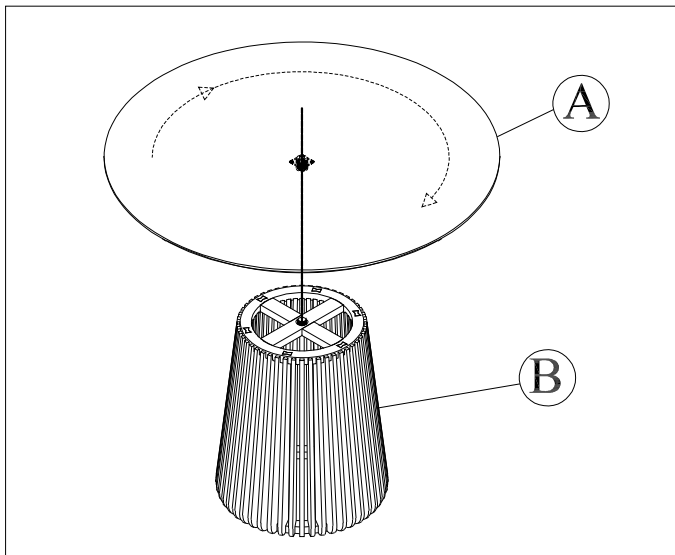
Assembly Instructions:

- 1. Lay Top Table (A) onto clean smooth surface as carpet or cardboard. Please note the indicating letter for homing guidance.
- 2. Please insert Bar Metal (C) to the Top Table (A) by Screw (D) and tighten by using Screw Driver Power Drill (Not included) .
- 3. Turn up the table.



4. Attach Top Table (A) to the Body Legs (B), 360 degree rotation Top (A) to be sure when connecting with Body Legs (B).

5. Assembly is complete.



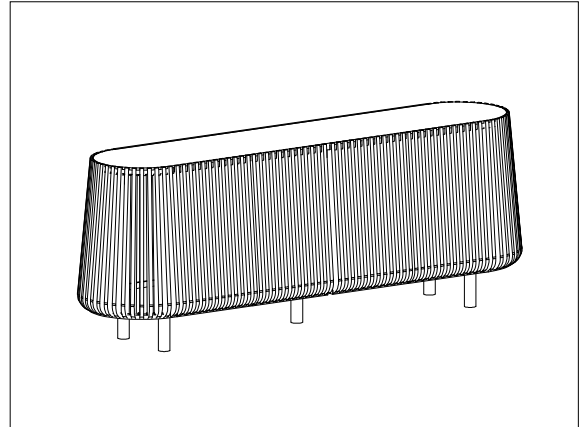
Care Instructions:

- Hardware may loosen overtime. Periodically check to make sure all components are tight. Re-tighten if necessary.
- Should clean dust with soft dry cloth
- For indoor use only

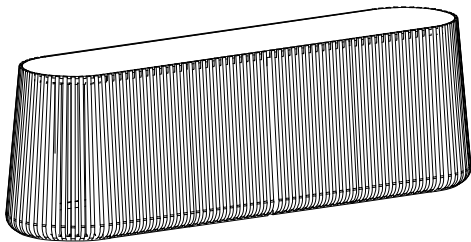


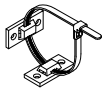
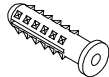
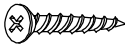

ASSEMBLY INSTRUCTION PILA BUFFET 200 CARRARA MARBLE BLACK

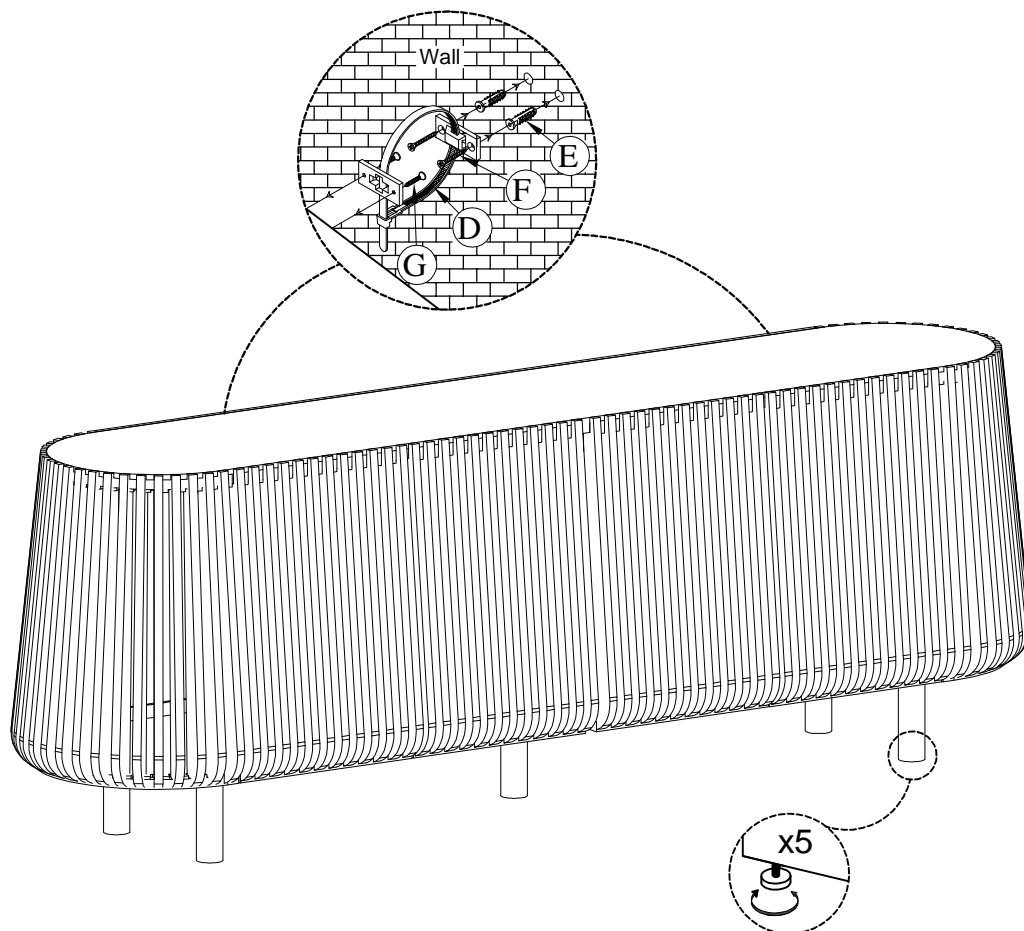
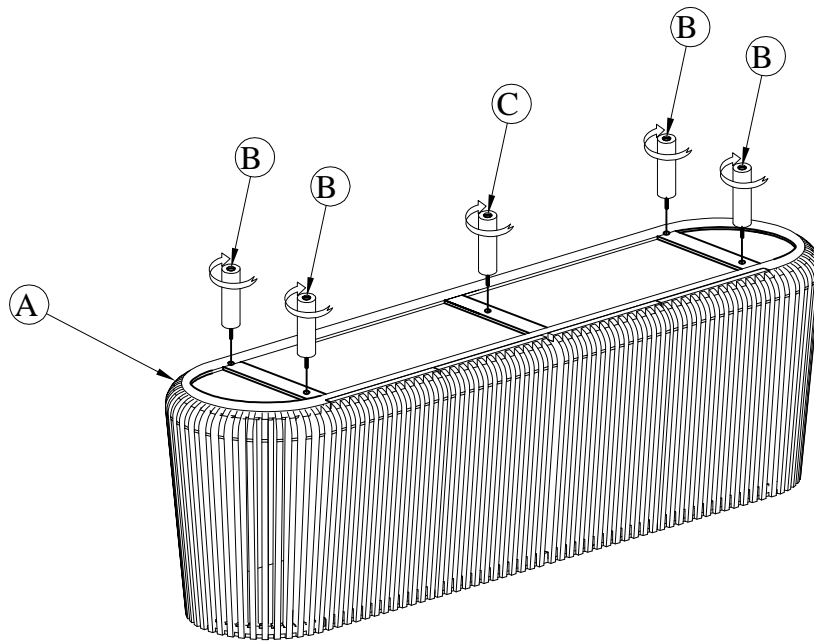
Pre Assembly:

- Please read all instructions before beginning assembly
- Place all parts on a carpet or foam in shipping box. Find the letter (A, B, C,...) on each part and check with below part list to ensure we have all components.
- Save all packing materials until assembly is complete to avoid accidentally discarding smaller parts or hardware.
- This product requires two people to do assembly.



Parts Included:

<p>A - Buffet Top - 1pc</p> 	<p>B - Body Legs - 4pcs</p> 	<p>C - Body Legs - 1pc</p> 	
<p>D - 2 pcs</p> 	<p>E - 4pcs</p> 	<p>F - Ø4 * 40 - 4pcs</p> 	<p>G - Ø4 * 20 - 4pcs</p> 

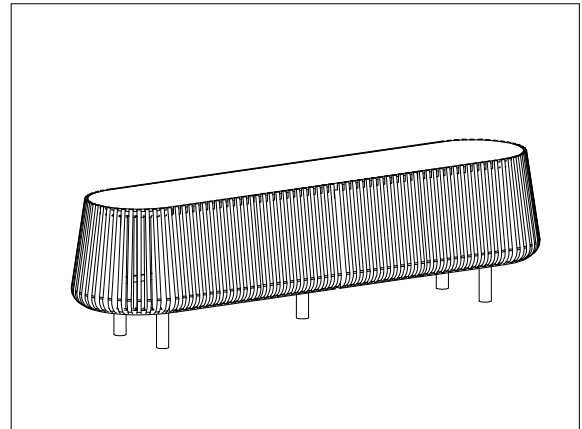


Care Instructions:

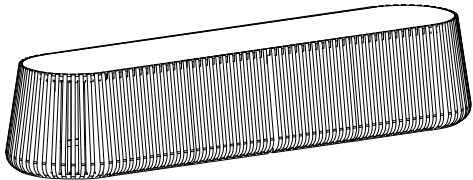
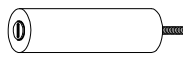
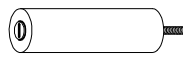
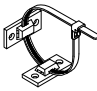



- Hardware may loosen by the time. Periodically check to make sure all components are tight. Re-tighten if necessary.
- Should clean dust with soft dry cloth
- For indoor use only

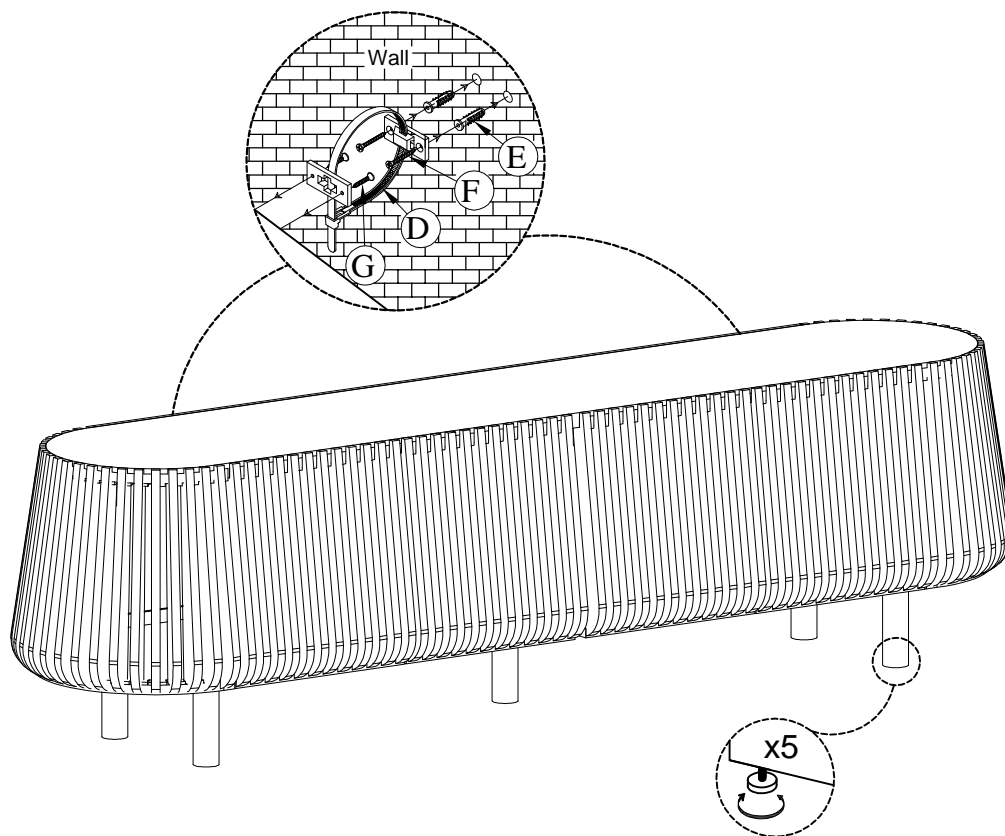
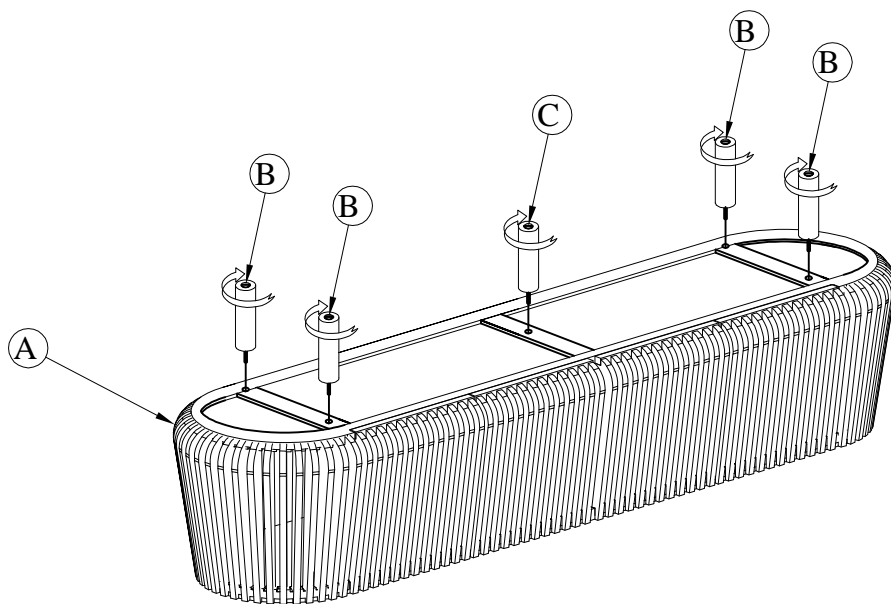
Pre Assembly:

- Please read all instructions before beginning assembly
- Place all parts on a carpet or foam in shipping box. Find the letter (A, B, C,...) on each part and check with below part list to ensure we have all components.
- Save all packing materials until assembly is complete to avoid accidentally discarding smaller parts or hardware.
- This product requires two people to do assembly.



Parts Included:

A - Etu Top - 1pc		B - Body Legs - 4pcs		C - Body Legs - 1pc	
					
D - 2 pcs		E - 4pcs		F - Ø4 * 40 - 4pcs	
					
				G - Ø4 * 20 - 4pcs	
					



Care Instructions:

- Hardware may loosen by the time. Periodically check to make sure all components are tight. Re-tighten if necessary.
- Should clean dust with soft dry cloth
- For indoor use only