

# Assembly Instruction

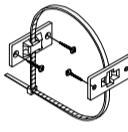
Model # **NORA BUFFET**

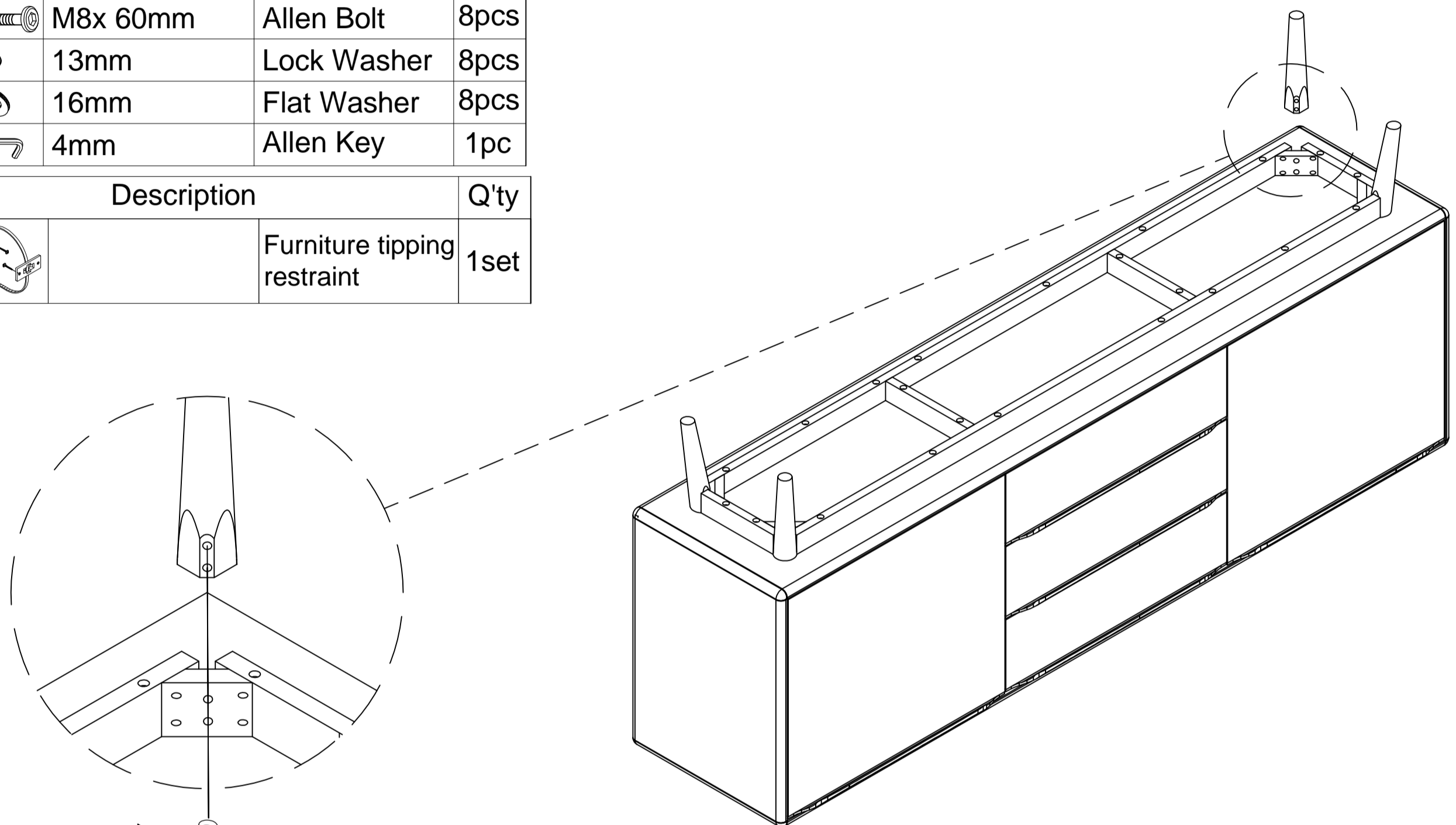
Thank you for purchasing this quality product. Be sure to check all packing materials carefully for small parts which may have come loose inside the carton during shipment. Identify and count all parts and compare with the parts list below.

\*\*Assemble the product on a flat, soft surface such as a carpet or cloth to prevent scratching the finish. Read all instruction and study the drawings carefully before starting the assembly process.

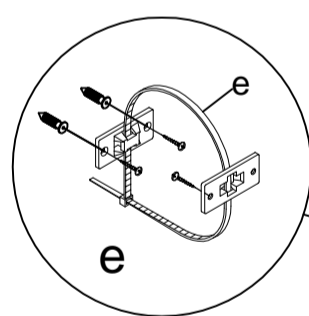
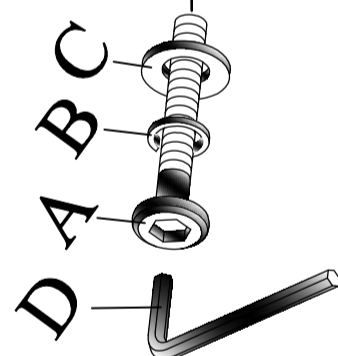
## HARDWARE LIST 1(Enclose in Bedside)

NO.	Description			Q'ty
a		M8x 60mm	Allen Bolt	8pcs
b		13mm	Lock Washer	8pcs
c		16mm	Flat Washer	8pcs
d		4mm	Allen Key	1pc

NO.	Description			Q'ty
e			Furniture tipping restraint	1set



Step 1



Step 2

Note: Do not fully tighten the bolts until all parts are in place. Failure to follow these instructions may cause the bolts to misalign during assembly.

**Cleaning Instruction:** Clean finished parts with a mild dishwashing liquid and water solution on a damp cloth. Polish the finish with soft cloth and an industry recognized furniture polish.

Made in Vietnam

# Assembly Instruction

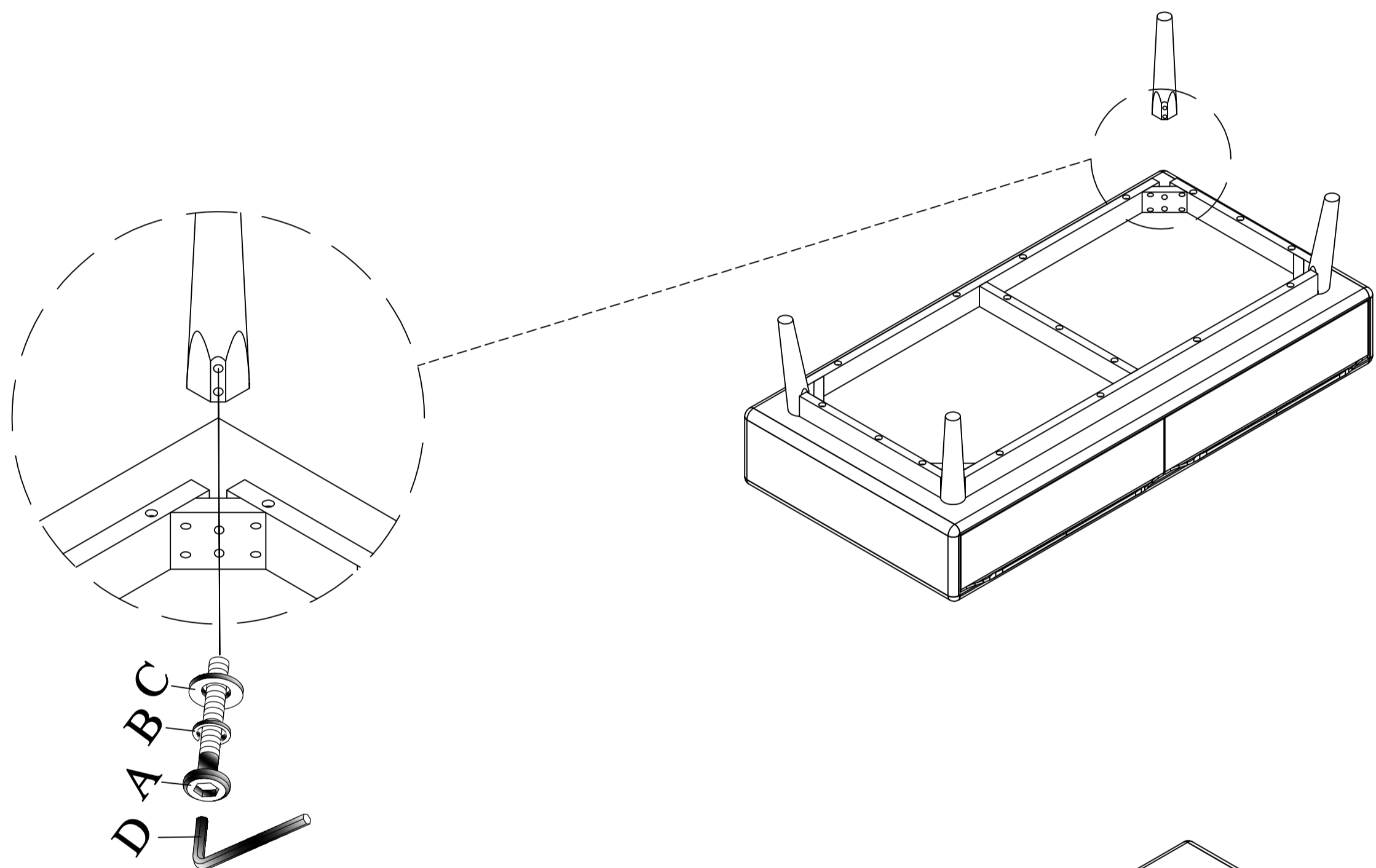
Model # **NORA COFFEE TABLE**

Thank you for purchasing this quality product. Be sure to check all packing materials carefully for small parts which may have come loose inside the carton during shipment. Identify and count all parts and compare with the parts list below.

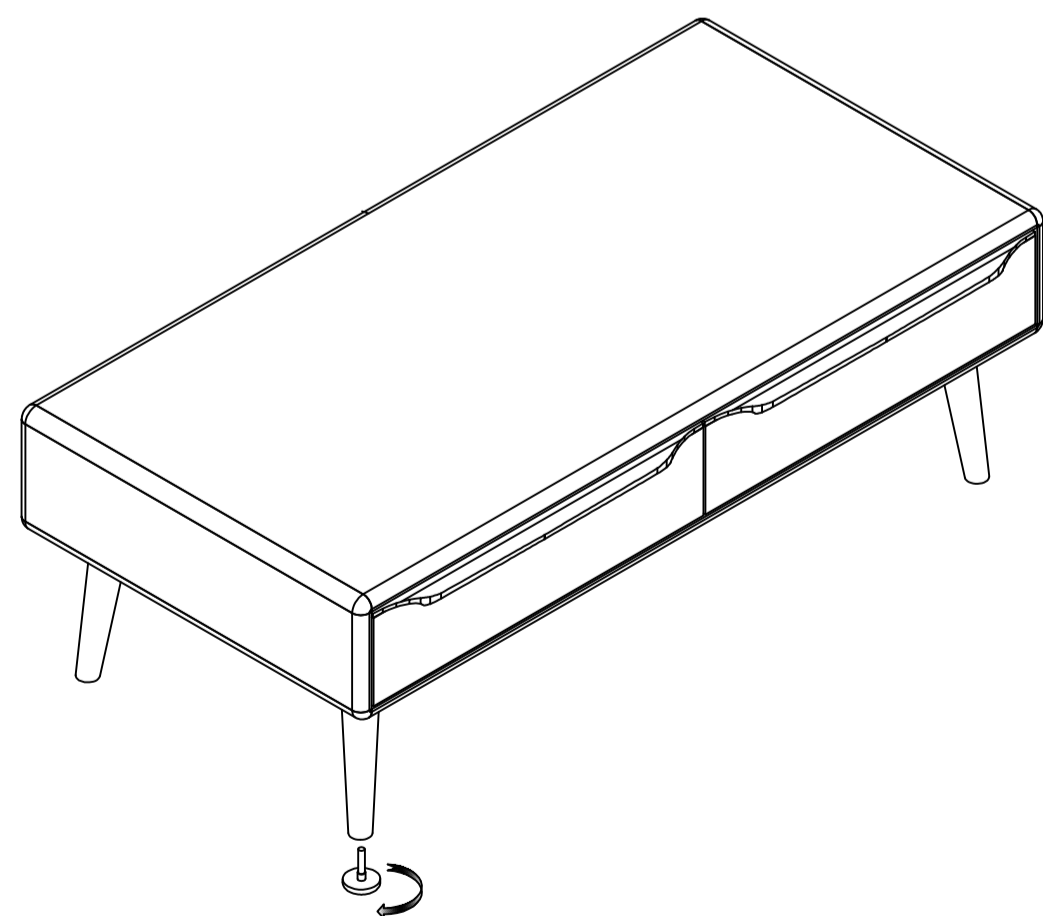
\*\*Assemble the product on a flat, soft surface such as a carpet or cloth to prevent scratching the finish. Read all instruction and study the drawings carefully before starting the assembly process.

## HARDWARE LIST 1(Enclose in Bedside)

NO.	Description			Q'ty
a		M8x 60mm	Allen Bolt	8pcs
b		13mm	Lock Washer	8pcs
c		16mm	Flat Washer	8pcs
d		4mm	Allen Key	1pc



Step 1



Step 2

Note: Do not fully tighten the bolts until all parts are in place. Failure to follow these instructions may cause the bolts to misalign during assembly.

**Cleaning Instruction:** Clean finished parts with a mild dishwashing liquid and water solution on a damp cloth. Polish the finish with soft cloth and an industry recognized furniture polish.

Made in Vietnam

# Assembly Instruction

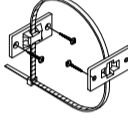
Model # **NORA CONSOLE TABLE**

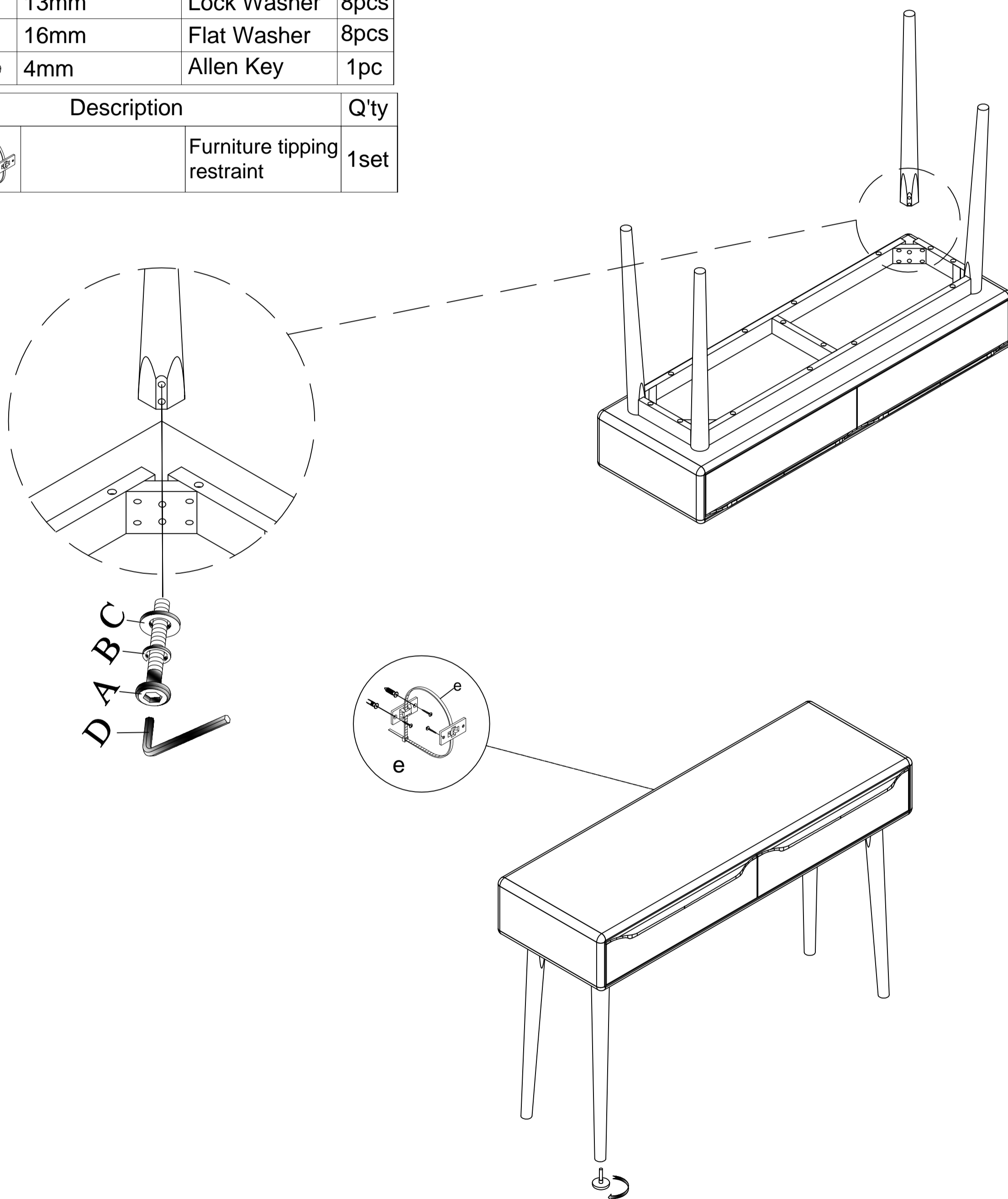
Thank you for purchasing this quality product. Be sure to check all packing materials carefully for small parts which may have come loose inside the carton during shipment. Identify and count all parts and compare with the parts list below.

\*\*Assemble the product on a flat, soft surface such as a carpet or cloth to prevent scratching the finish. Read all instruction and study the drawings carefully before starting the assembly process.

## HARDWARE LIST 1(Enclose in Bedside)

NO.	Description			Q'ty
a		M8x 60mm	Allen Bolt	8pcs
b		13mm	Lock Washer	8pcs
c		16mm	Flat Washer	8pcs
d		4mm	Allen Key	1pc

NO.	Description			Q'ty
e			Furniture tipping restraint	1set



Step 1

Step 2

Note: Do not fully tighten the bolts until all parts are in place. Failure to follow these instructions may cause the bolts to misalign during assembly.

**Cleaning Instruction:** Clean finished parts with a mild dishwashing liquid and water solution on a damp cloth. Polish the finish with soft cloth and an industry recognized furniture polish.

Made in Vietnam

# Assembly Instruction

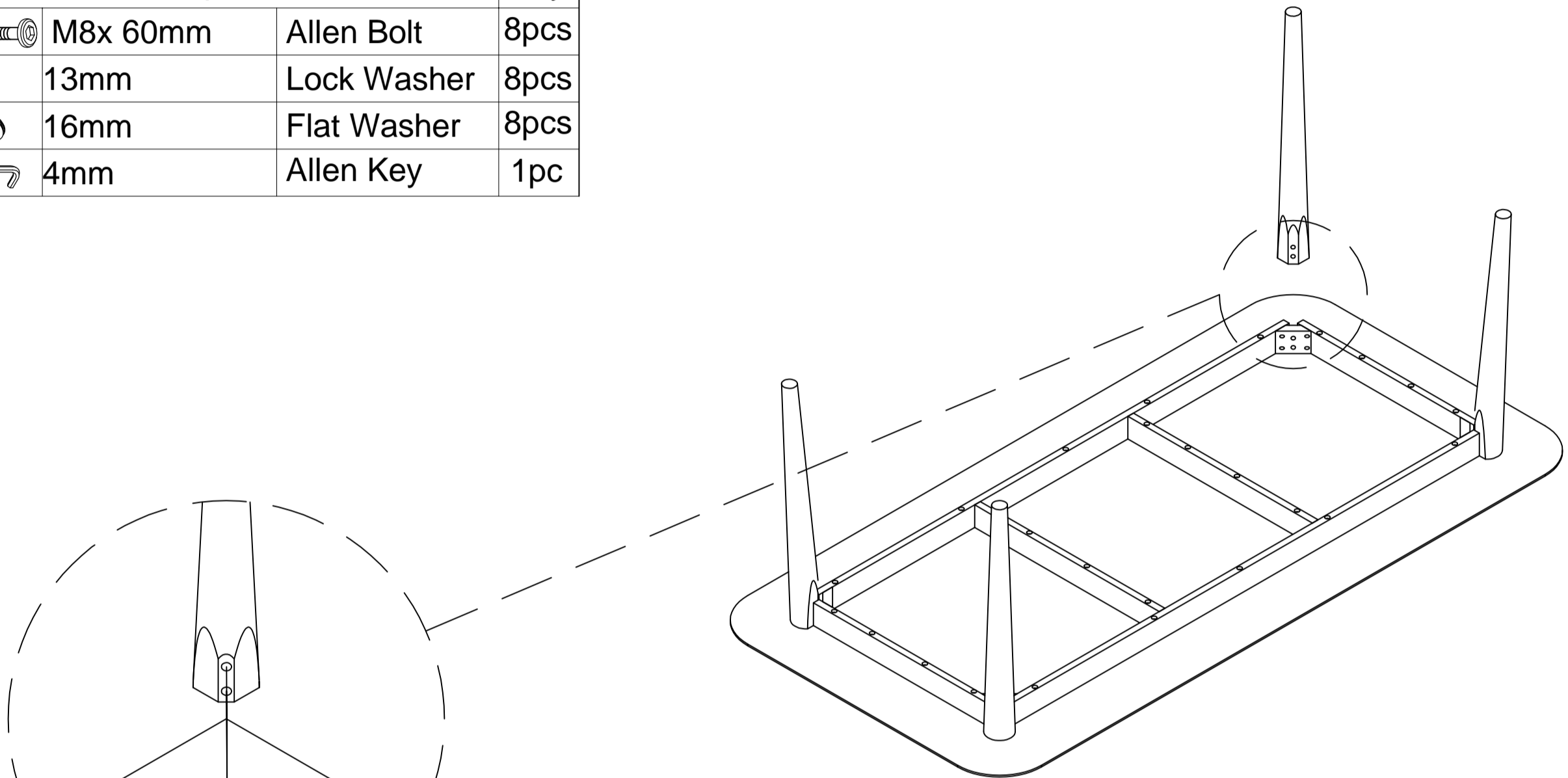
Model # **NORA DINING TABLE**

Thank you for purchasing this quality product. Be sure to check all packing materials carefully for small parts which may have come loose inside the carton during shipment. Identify and count all parts and compare with the parts list below.

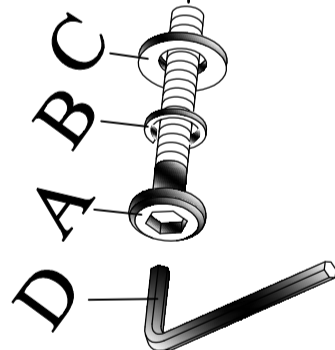
\*\*Assemble the product on a flat, soft surface such as a carpet or cloth to prevent scratching the finish. Read all instruction and study the drawings carefully before starting the assembly process.

## HARDWARE LIST 1(Enclose in Bedside)

NO.	Description			Q'ty
a		M8x 60mm	Allen Bolt	8pcs
b		13mm	Lock Washer	8pcs
c		16mm	Flat Washer	8pcs
d		4mm	Allen Key	1pc



Step 1



Step 2

Note: Do not fully tighten the bolts until all parts are in place. Failure to follow these instructions may cause the bolts to misalign during assembly.

**Cleaning Instruction:** Clean finished parts with a mild dishwashing liquid and water solution on a damp cloth. Polish the finish with soft cloth and an industry recognized furniture polish.

Made in Vietnam

# Assembly Instruction

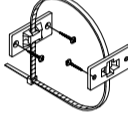
Model # NORA ETU

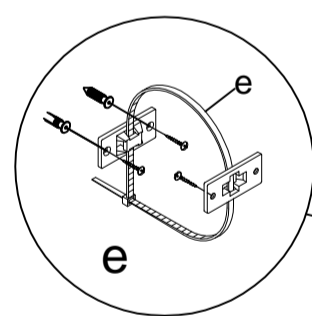
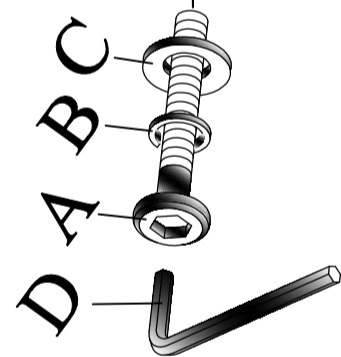
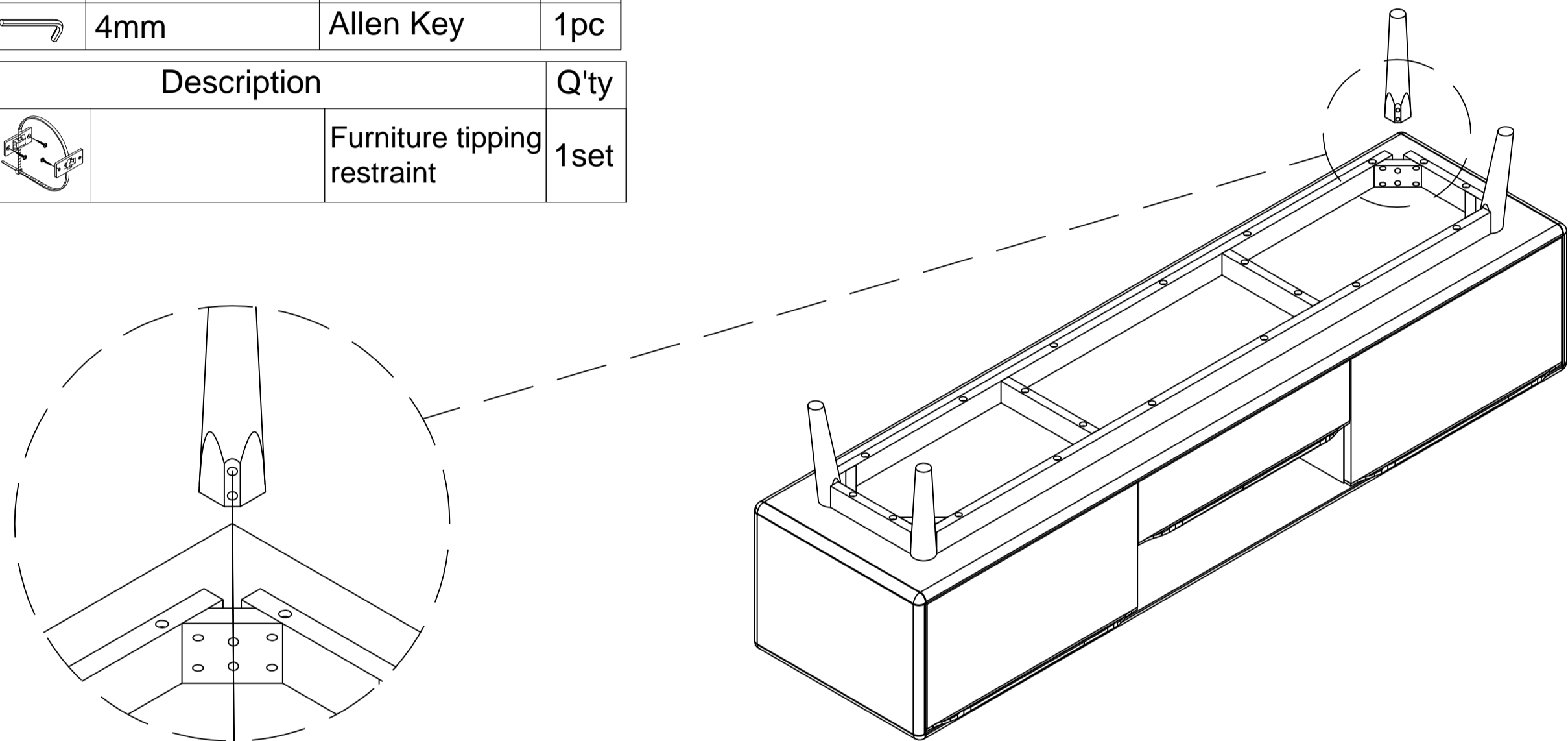
Thank you for purchasing this quality product. Be sure to check all packing materials carefully for small parts which may have come loose inside the carton during shipment. Identify and count all parts and compare with the parts list below.

\*\*Assemble the product on a flat, soft surface such as a carpet or cloth to prevent scratching the finish. Read all instruction and study the drawings carefully before starting the assembly process.

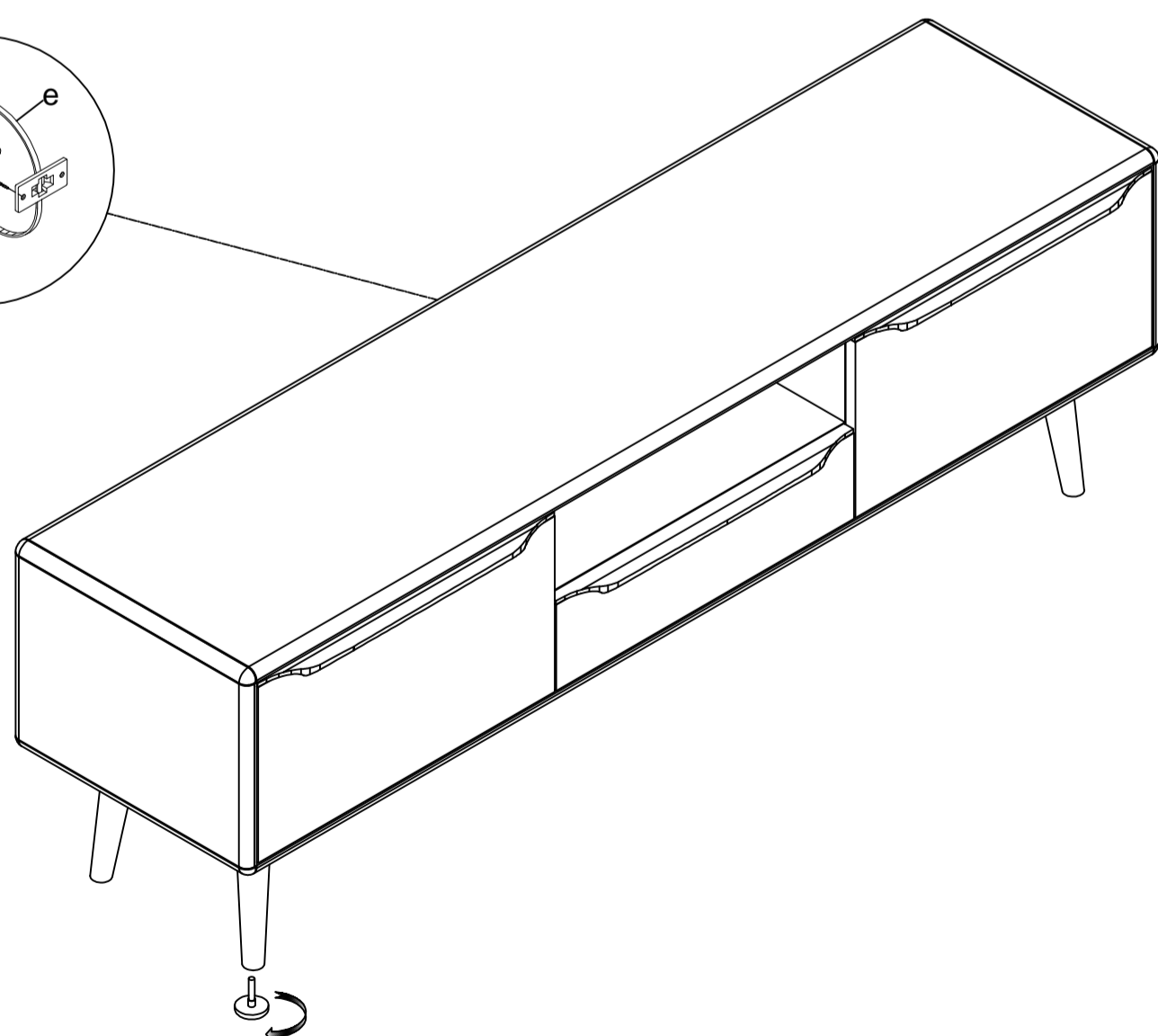
## HARDWARE LIST 1(Enclose in Bedside)

NO.	Description			Q'ty
a		M8x 60mm	Allen Bolt	8pcs
b		13mm	Lock Washer	8pcs
c		16mm	Flat Washer	8pcs
d		4mm	Allen Key	1pc

NO.	Description			Q'ty
e			Furniture tipping restraint	1set



Step 1



Step 2

Note: Do not fully tighten the bolts until all parts are in place. Failure to follow these instructions may cause the bolts to misalign during assembly.

**Cleaning Instruction:** Clean finished parts with a mild dishwashing liquid and water solution on a damp cloth. Polish the finish with soft cloth and an industry recognized furniture polish.

Made in Vietnam

# Assembly Instruction

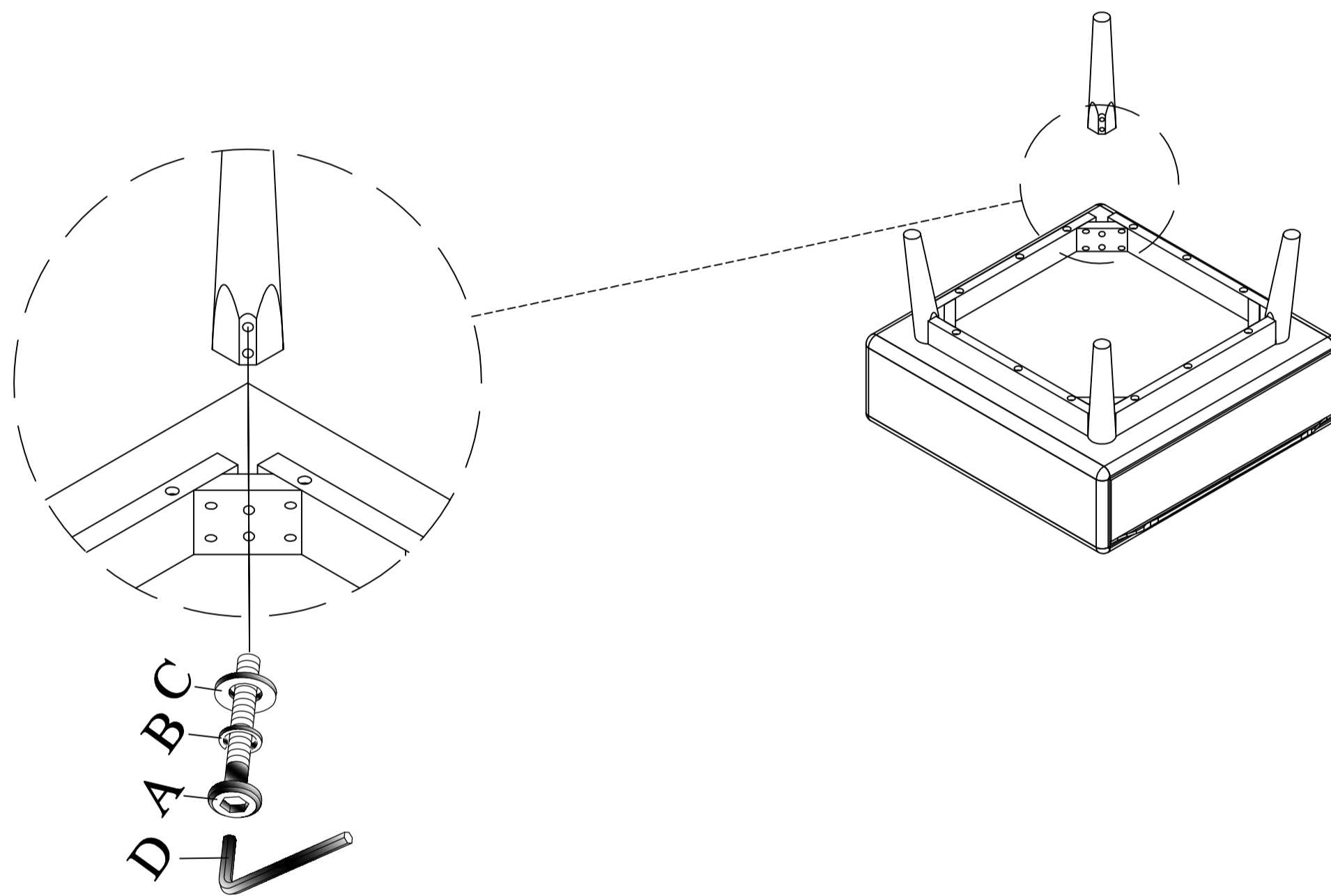
Model # **NORA LAMP TABLE**

Thank you for purchasing this quality product. Be sure to check all packing materials carefully for small parts which may have come loose inside the carton during shipment. Identify and count all parts and compare with the parts list below.

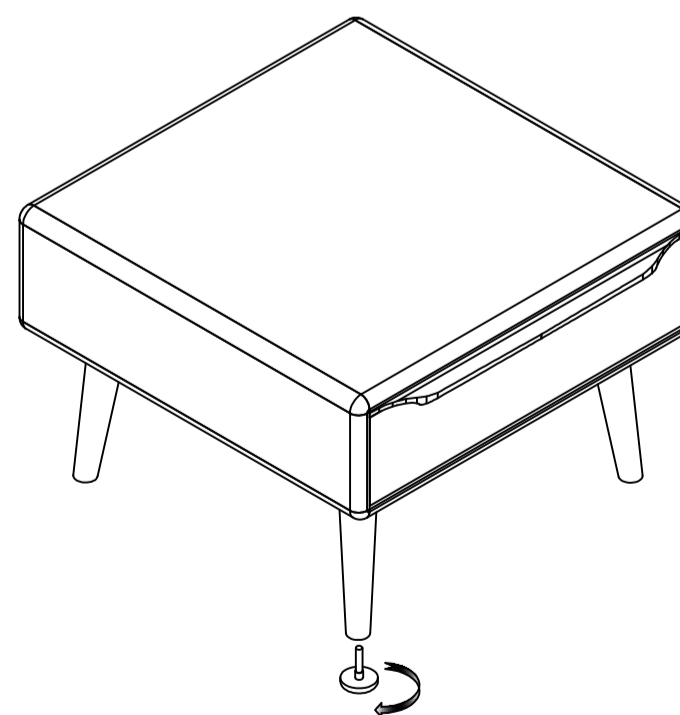
\*\*Assemble the product on a flat, soft surface such as a carpet or cloth to prevent scratching the finish. Read all instruction and study the drawings carefully before starting the assembly process.

## HARDWARE LIST 1(Enclose in Bedside)

NO.	Description			Q'ty
a		M8x 60mm	Allen Bolt	8pcs
b		13mm	Lock Washer	8pcs
c		16mm	Flat Washer	8pcs
d		4mm	Allen Key	1pc



Step 1



Step 2

Note: Do not fully tighten the bolts until all parts are in place. Failure to follow these instructions may cause the bolts to misalign during assembly.

**Cleaning Instruction:** Clean finished parts with a mild dishwashing liquid and water solution on a damp cloth. Polish the finish with soft cloth and an industry recognized furniture polish.

Made in Vietnam