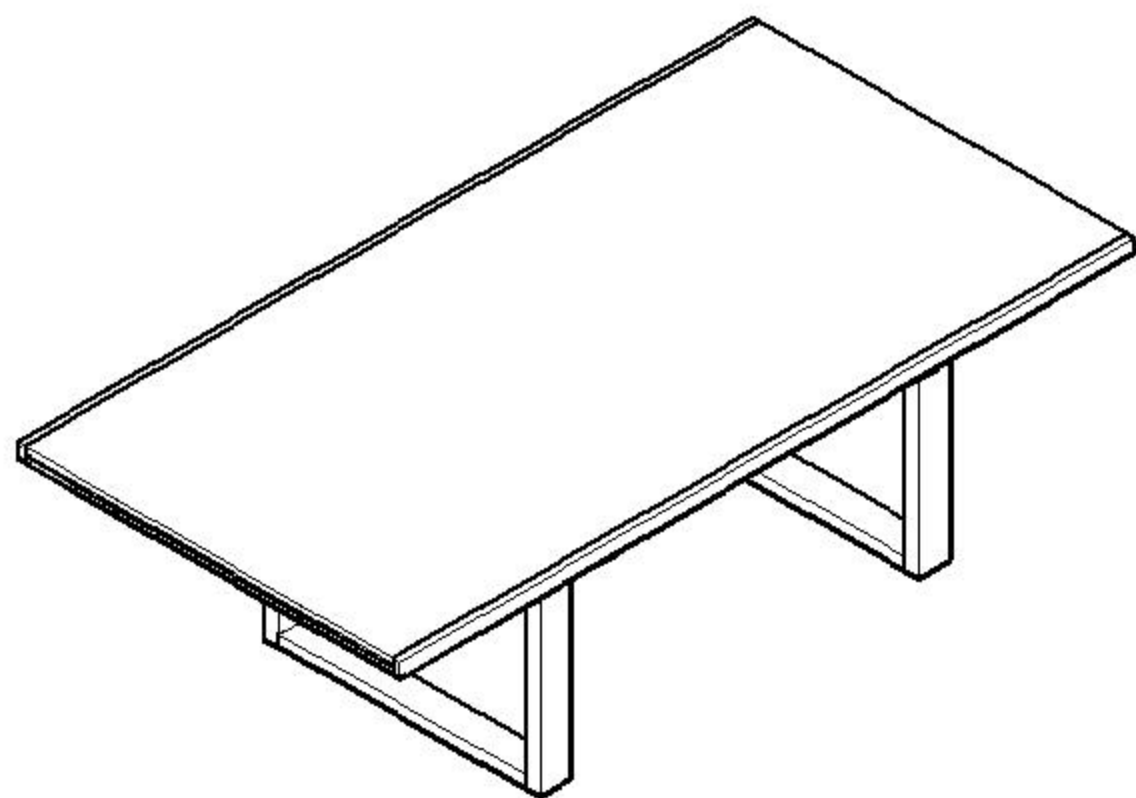
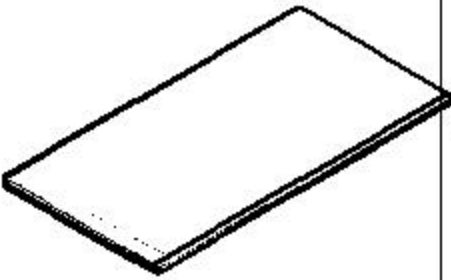
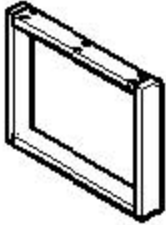






X1565 Dining table

Thank you for purchasing this quality products, please check all packing materials carefully for some small parts that come from corner during shipment.



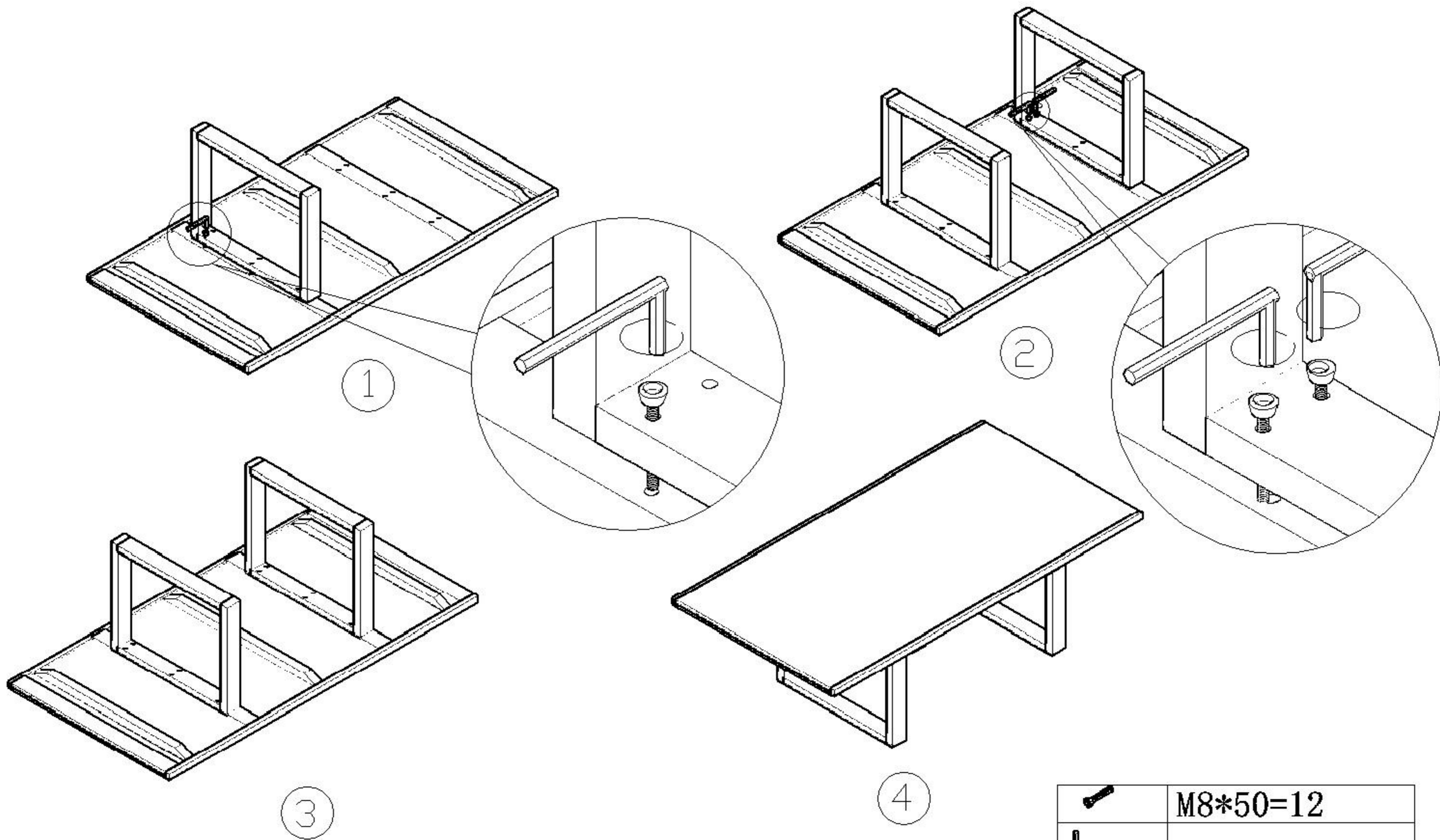
Parts List			
NO	Description		Qty
1	 Table top		1pc
2	 Table leg		2pc

Hardware List			
NO	Description		Qty
A	 Allen Key M8		1pc
B	 Hexagon socket screws M8*50		12pc
C	 Screws pad $\text{Ø}15*\text{Ø}8$		12pc
D	 Felt		4pc





Tool required not include
NO

Approx:10min Assembly Required

MADE IN CHINA



Page 2/2

	M8*50=12
	M8 = 1
	Φ20*2=4
	Φ18*Φ8*2=12