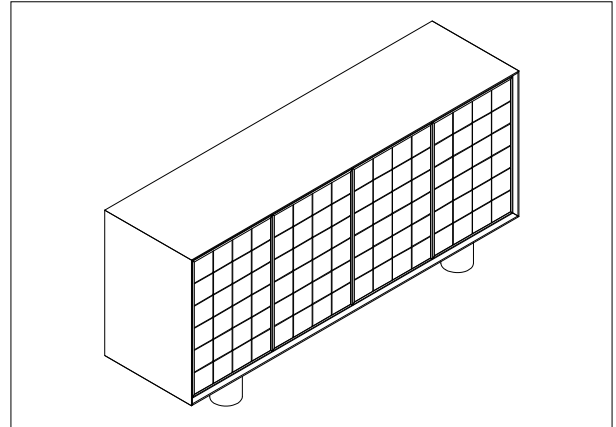

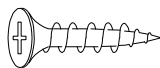
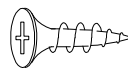



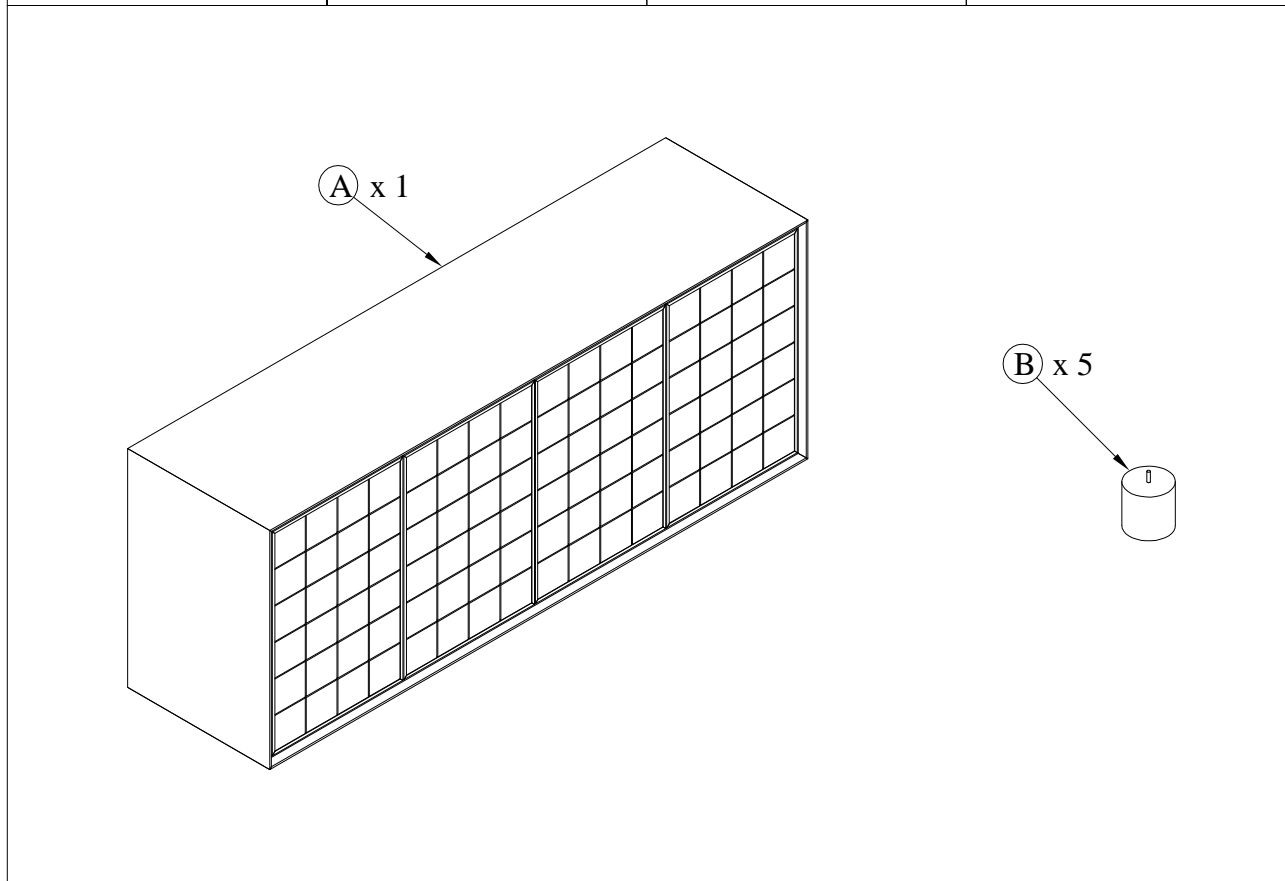
#### Pre Assembly:

- Please read all instructions before beginning assembly
- Place all parts on a carpet or foam in shipping box. Find the letter (A, B, C,..., 1, 2, 3,...) on each part and check with below part list to ensure we have all components.
- Save all packing materials until assembly is complete to avoid accidentally discarding smaller parts or hardware.
- This product requires two people to do assembly.

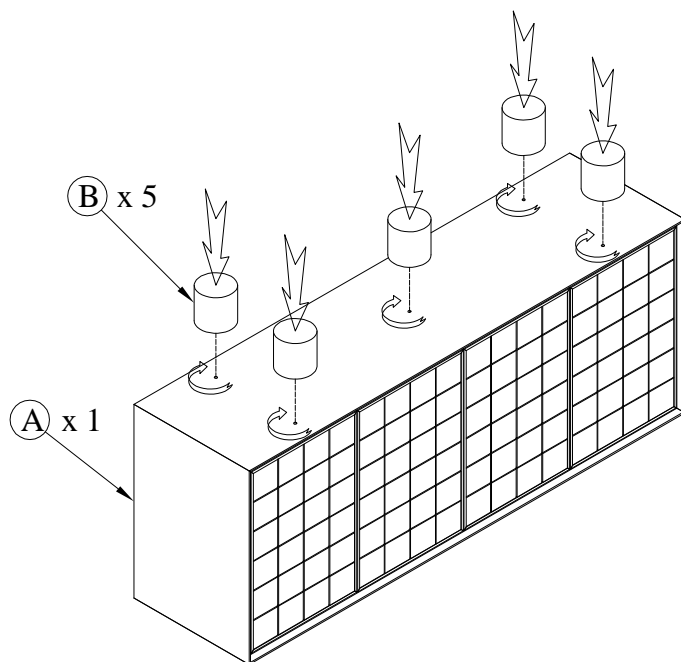


#### Parts Included:

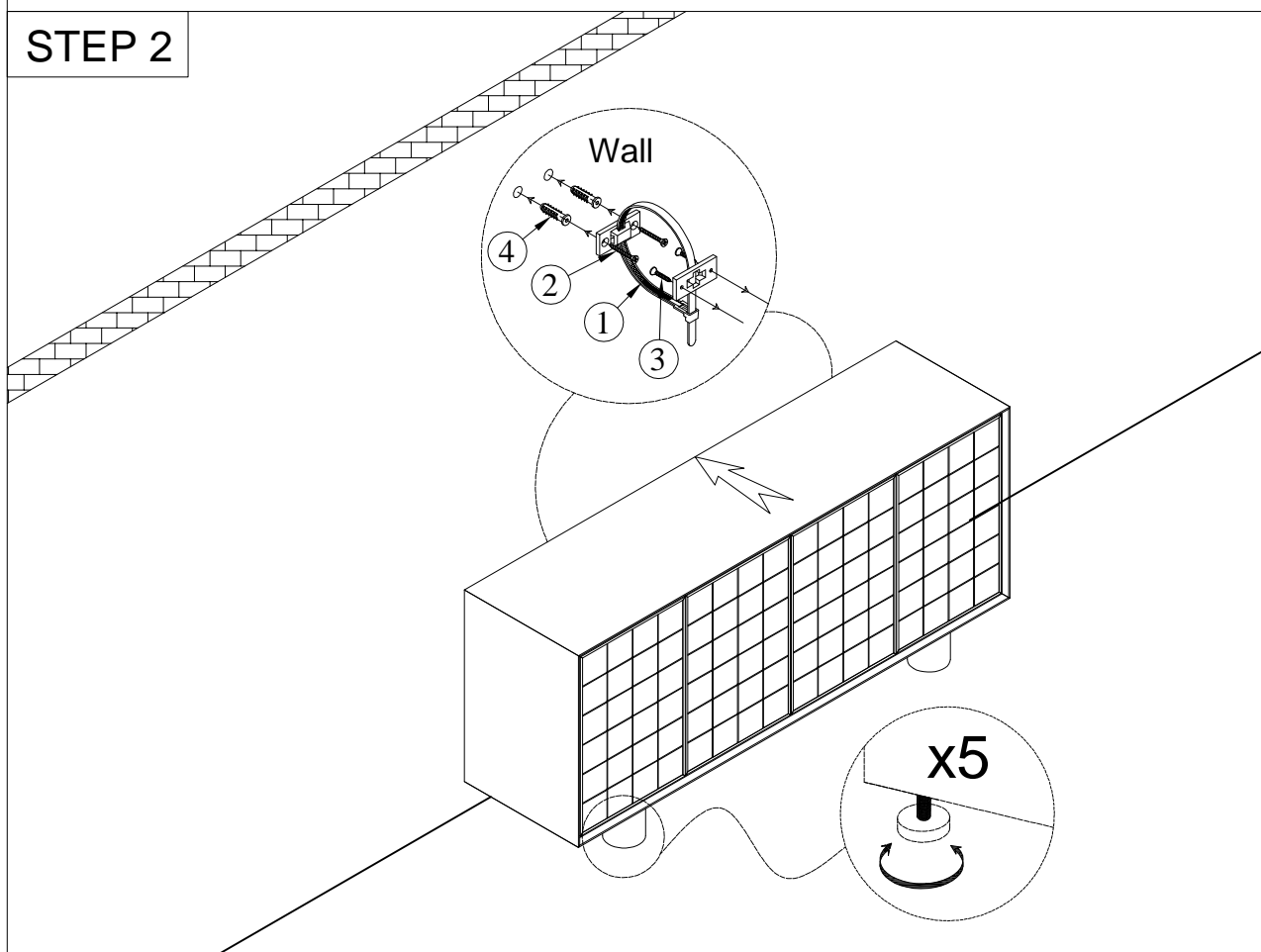
1 - Anti-tip kits - 2pcs	2 - Ø4 * 40 - 4pcs	3 - Ø4 * 20 - 4pcs	4 - Wall plugs - 4pcs
			



## STEP 1

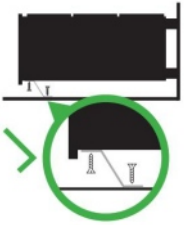



## STEP 2



### Care Instructions:

- Hardware may loosen overtime. Periodically check to make sure all components are tight. Re-tighten if necessary.
- Should clean dust with soft dry cloth
- For indoor use only

<b>! WARNING</b>		<p><b>Children have died from furniture toppling.</b></p> <ul style="list-style-type: none"> <li>• ALWAYS secure this furniture with an anchor device.</li> <li>• NEVER allow children to stand, climb or hang on drawers, doors, or shelves.</li> <li>• ALWAYS secure your television with an anchor device.</li> </ul>
		

## FURNITURE TIPPING RESTRAINT

### **WARNING: Injury may result from tipping furniture**

This restraint is not a substitute for proper adult supervision. This restraint may provide protection against tipping furniture. Do not allow children to climb on furniture. Failure to detach this restraint before moving furniture may result in injury and damage.

### **! Important Wall Mounting Instructions**

For added safety and stability, it is recommended that the wall mounting hardware be installed. For safe mounting, it is essential to use wall anchors appropriate to your wall type (i.e. plaster, drywall, concrete, etc.). Mount to wood studs whenever possible.

**Note:** If you are unsure about your wall type or what mounting method you should use, consult a qualified professional or your local hardware store.

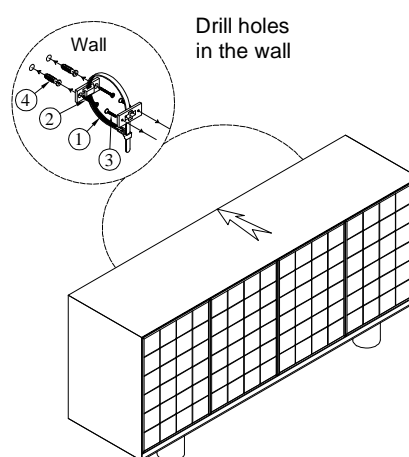
There is an Anti Tipping kit supplied with this furniture. It can be located either:

- Attached to the back of the furniture,
- Within a drawer or behind a door of the furniture,
- Within the box package of the furniture.

**IF YOU CANNOT LOCATE AN ANTI TIPPING KIT, PLEASE CALL THE STORE OF PURCHASE IMMEDIATELY AND THEY WILL SUPPLY ONE.**

### **Installation Instructions**

1. A minimum of one (1) Anti Tip restraint is recommended for all furniture over 500mm in height.
2. Ensure the Anti Tip is attached securely to the back of your furniture.
3. Drill holes in the wall.
4. Insert plug and screw into the wall ensuring it is very strong.
5. Secure the cable connection between the wall screw and the screw on the back of the furniture. Ensure this connection is very strong.



**IMPORTANT NOTE: If the hardware supplied is not suitable for your wall design, consult a professional or a hardware store for an alternative wall attachment hardware.**

**Category 1 furniture** — A clothing storage unit or bookcase with a height of 686 mm or more. A clothing storage unit is an item of furniture designed to be used primarily to store clothes and that contains one or more doors, drawers or other extendable elements.

**Category 2 furniture** — Entertainment units of any height. Entertainment units are designed to be used primarily to house, support or carry a television.

**Category 3 furniture** — Hall tables, display cabinets, buffets, and sideboards with a height of 686 mm or greater.

**WARNING**



**Children have died from furniture toppling.**

- ALWAYS secure this furniture with an anchor device.
- NEVER allow children to stand, climb or hang on drawers, doors, or shelves.
- NEVER open more than one drawer at a time.
- Place heavy items down low.

NEVER put a TV on this furniture 

This is a permanent label. Do not remove!

**WARNING**



**Children have died from furniture toppling.**

- NEVER allow children to stand, climb or hang on drawers, doors, or shelves.
- ALWAYS secure your television with an anchor device.

This is a permanent label. Do not remove!

**WARNING**



**Children have died from furniture toppling.**

- ALWAYS secure this furniture with an anchor device.
- NEVER allow children to stand, climb or hang on drawers, doors, or shelves.
- ALWAYS secure your television with an anchor device.

This is a permanent label. Do not remove!

## FURNITURE TIPPING RESTRAINT

### WARNING: Injury may result from tipping furniture

This restraint is not a substitute for proper adult supervision. This restraint may provide protection against tipping furniture. Do not allow children to climb on furniture. Failure to detach this restraint before moving furniture may result in injury and damage.

### ▲ Important Wall Mounting Instructions

For added safety and stability, it is recommended that the wall mounting hardware be installed. For safe mounting, it is essential to use wall anchors appropriate to your wall type (i.e. plaster, drywall, concrete, etc.). Mount to wood studs whenever possible.

**Note:** If you are unsure about your wall type or what mounting method you should use, consult a qualified professional or your local hardware store.

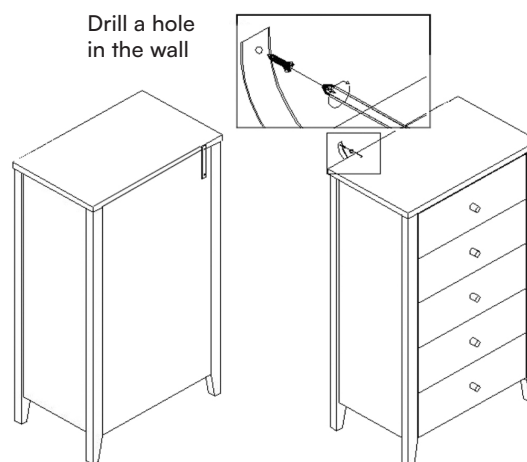
There is an Anti Tipping kit supplied with this furniture. It can be located either:

- Attached to the back of the furniture,
- Within a drawer or behind a door of the furniture,
- Within the box package of the furniture.

**IF YOU CANNOT LOCATE AN ANTI TIPPING KIT, PLEASE CALL THE STORE OF PURCHASE IMMEDIATELY AND THEY WILL SUPPLY ONE.**

### Installation Instructions

1. A minimum of one (1) Anti Tip restraint is recommended for all furniture over 500mm in height.
2. Ensure the Anti Tip is attached securely to the back of your furniture.
3. Drill a hole in the wall.
4. Insert plug and screw into the wall ensuring it is very strong.
5. Secure the cable connection between the wall screw and the screw on the back of the furniture. Ensure this connection is very strong.



**IMPORTANT NOTE: If the hardware supplied is not suitable for your wall design, consult a professional or a hardware store for an alternative wall attachment hardware.**