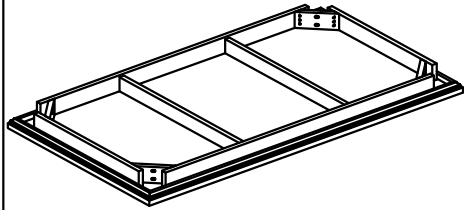


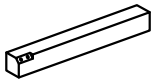
# ASSEMBLY INSTRUCTION





# ARTHOUSE

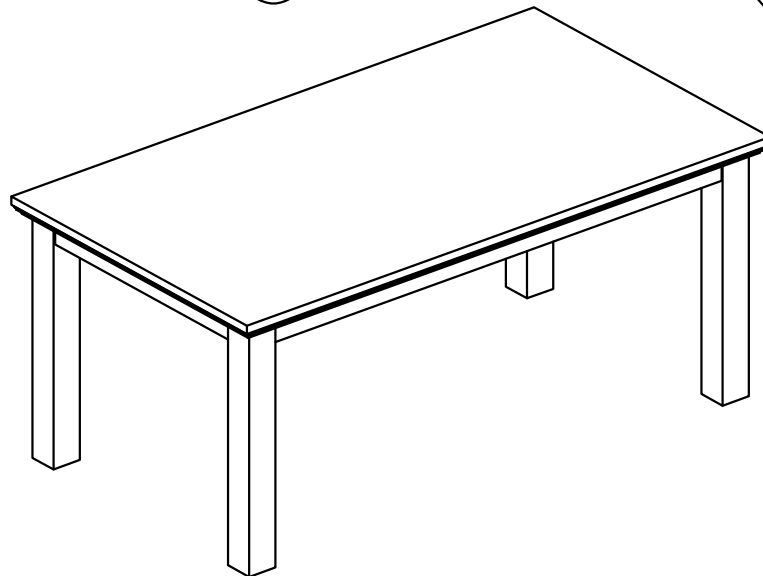
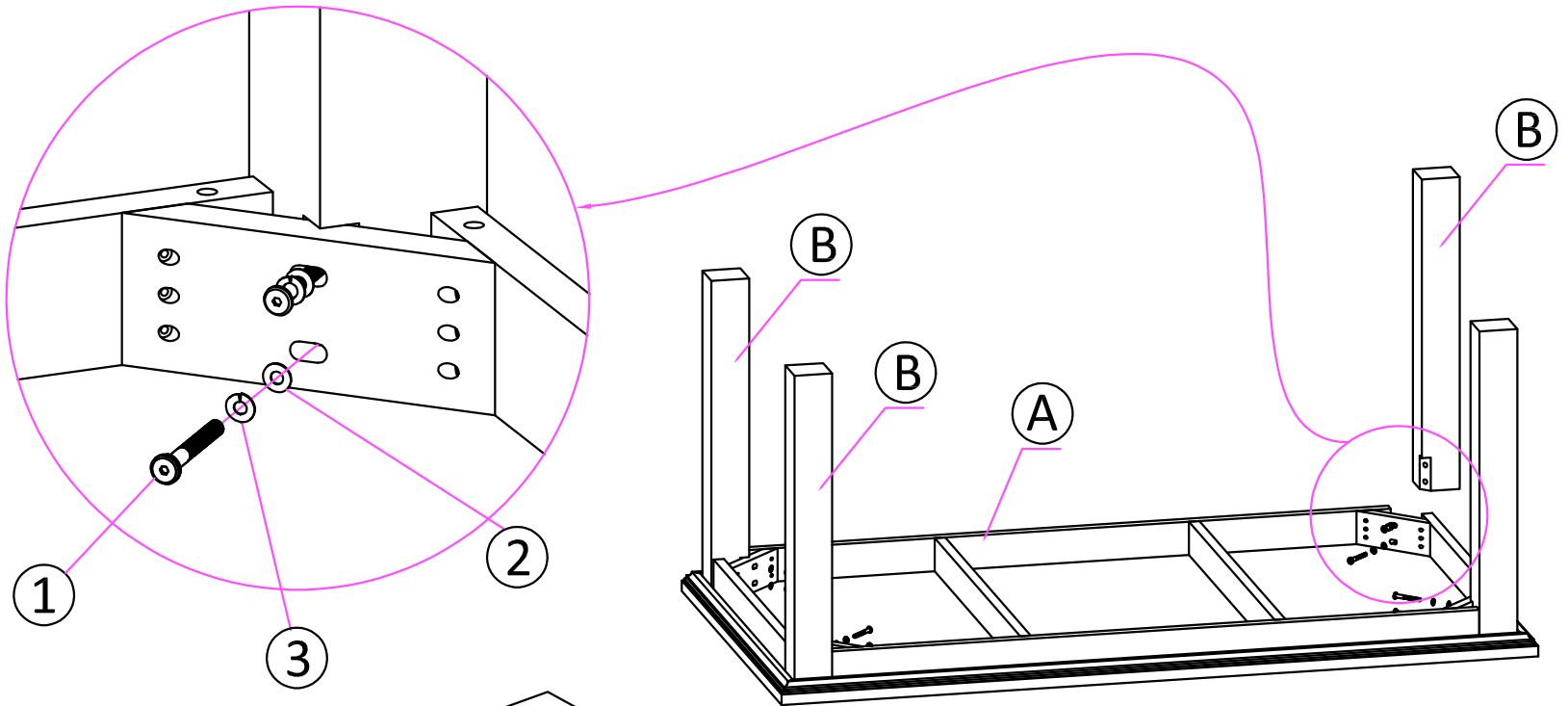
TOP TABLE AX1



LEGS BX4



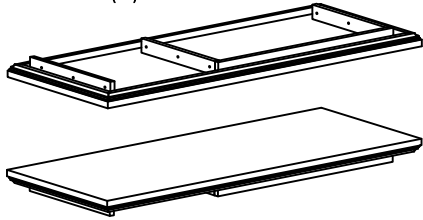
Item	List of Hardware	Q.'ty
①	Bolts M8 	8
②	Flat Washer 	8
③	Lock Washer 	8
④	Allen key 	1



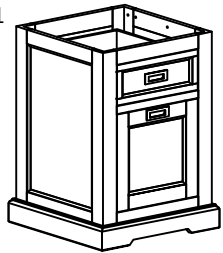
# ASSEMBLY INSTRUCTION

ARTHOUSE

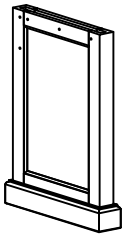
TOP TABLE (A) x 1



CABINET (B) x 1



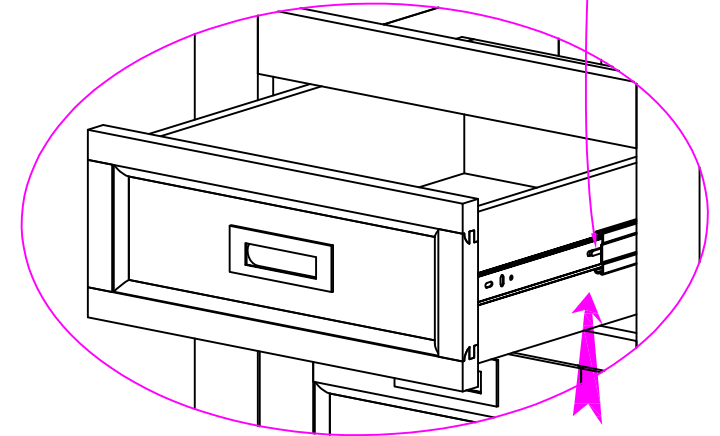
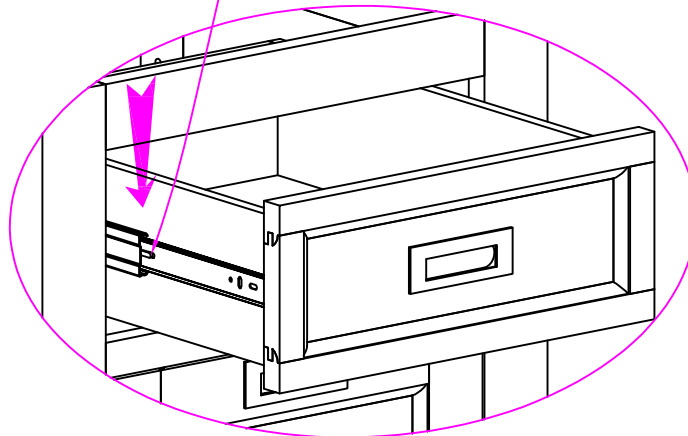
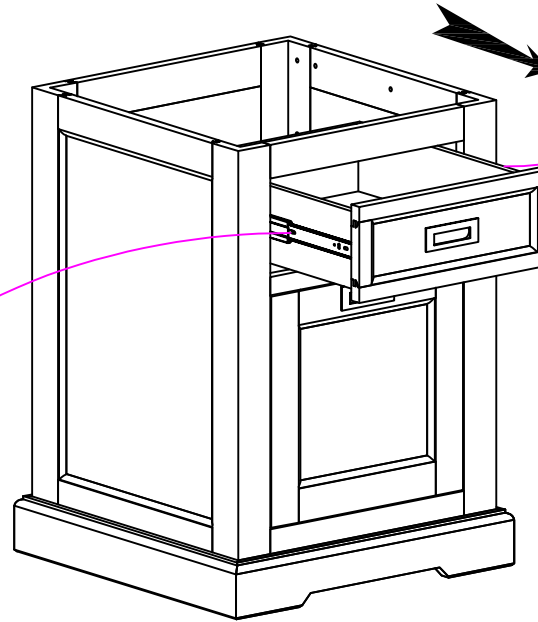
LEG (C) x 1






PANEL (D) x 1



Step 1: Remove Drawer



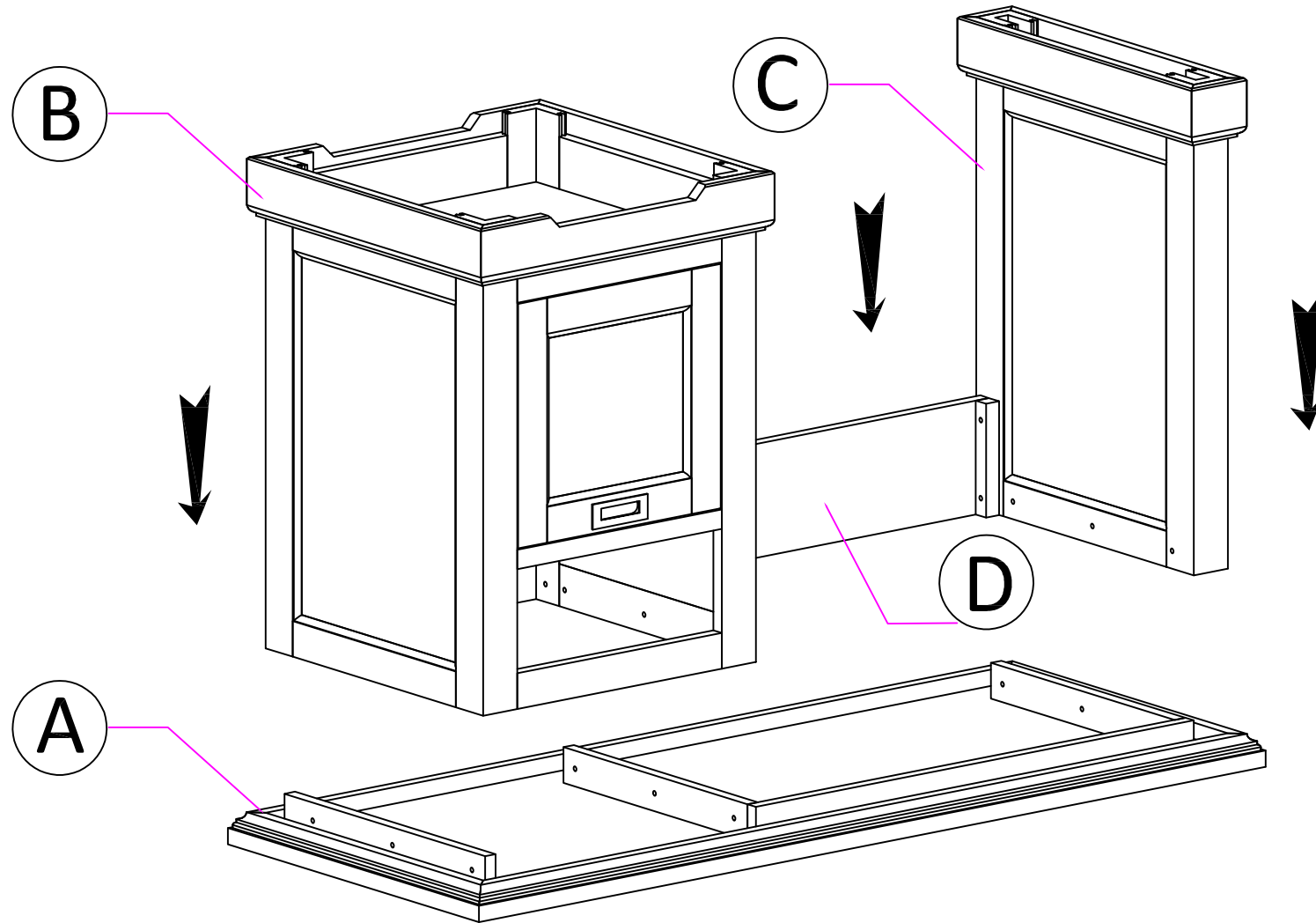
Push and hold plastic lever to the opposite position to release the lock, this will allow the drawer to slide out.

Item	List of Hardware	Q.'ty
①	Bolts 	13
②	Flat Washer 	13
③	Allen key 	1

# ASSEMBLY INSTRUCTION

ARTHOUSE<sup>US</sup>

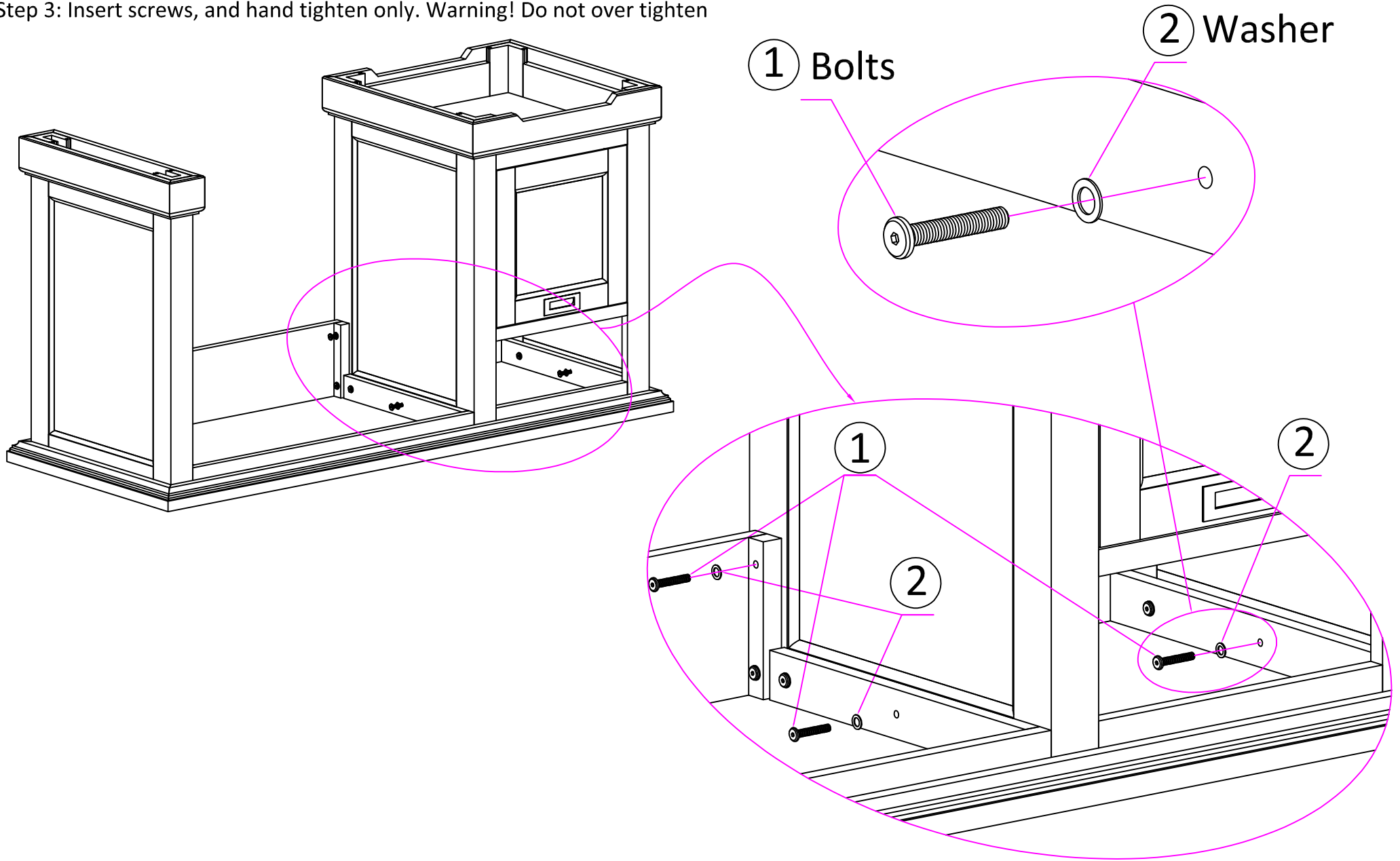
Step 2: Place the cabinet parts as shown, and align to predrilled holes



# ASSEMBLY INSTRUCTION

ARTHOUSE

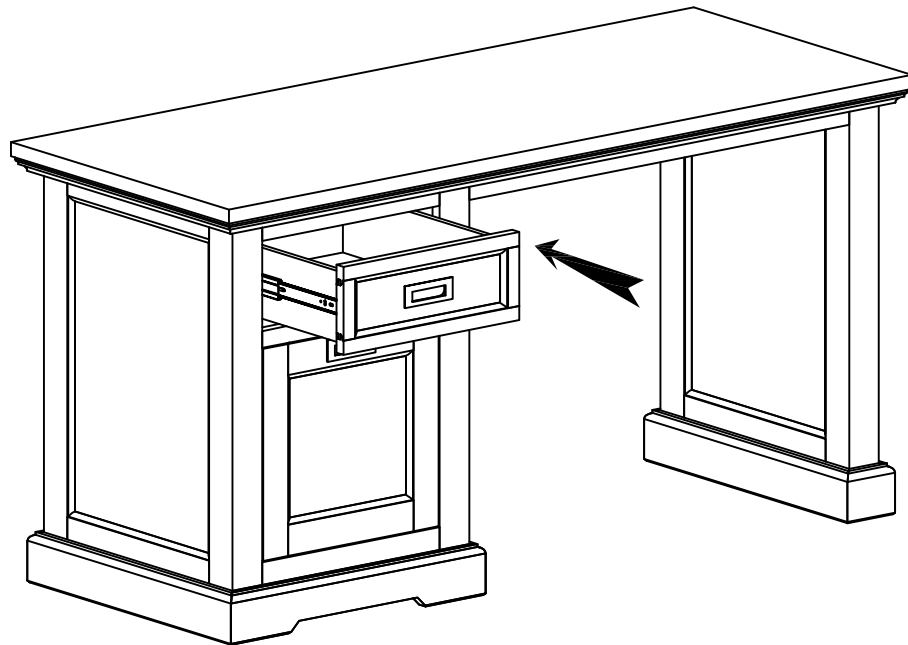
Step 3: Insert screws, and hand tighten only. Warning! Do not over tighten



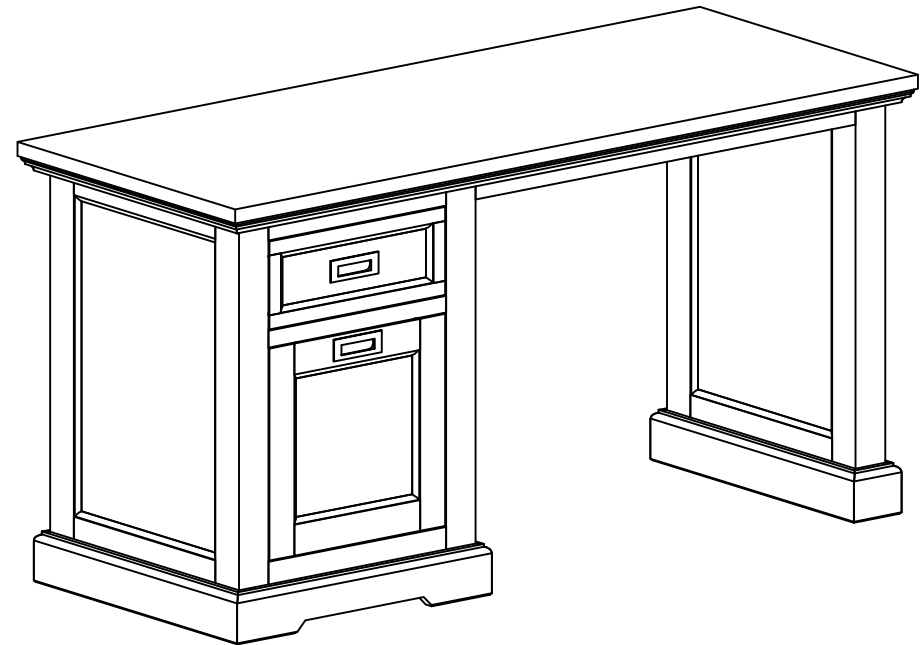
# ASSEMBLY INSTRUCTION

ARTHOUSE<sup>USA</sup>

Step 4: Insert back to drawer, push drawer back into closed position



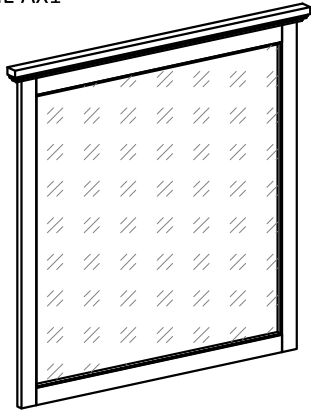
Complete



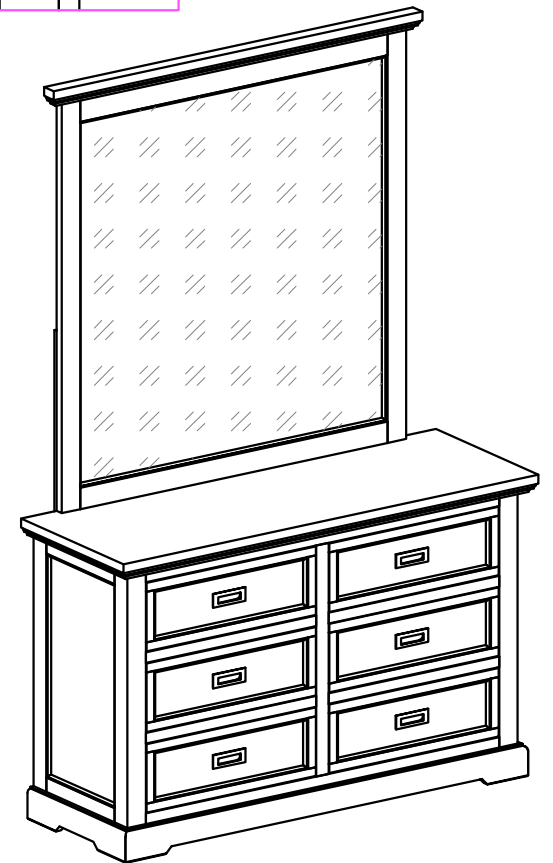
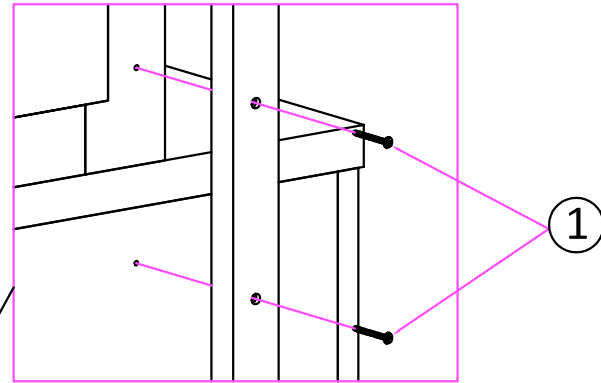
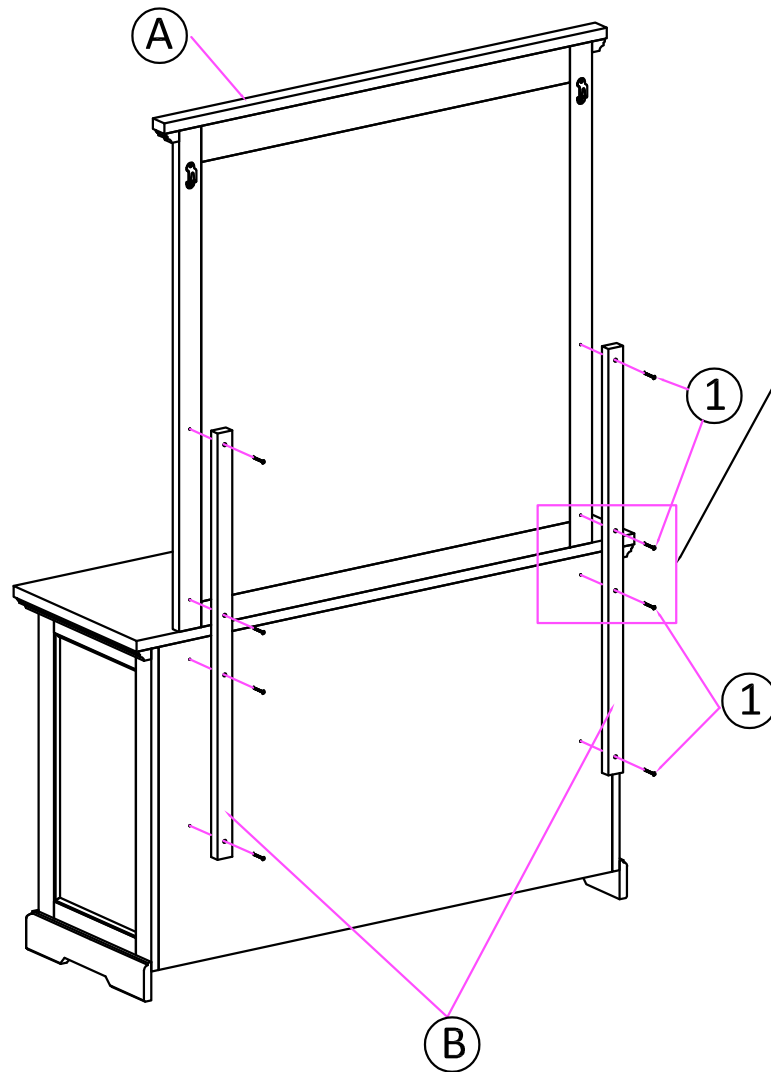
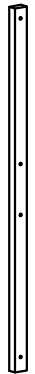
# ASSEMBLY INSTRUCTION


ARTHOUSE

FRAME AX1



SUPPORT BX2



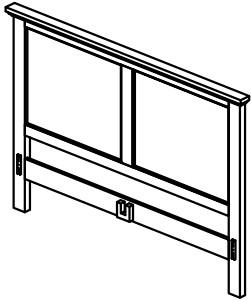
Item	List of Hardware	Q.'ty
①	Screw M4 X 35mm 	8

# ASSEMBLY INSTRUCTION

# ARTHOUSE

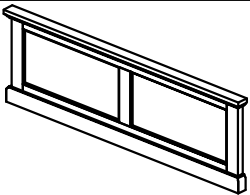
HEAD BED

AX1



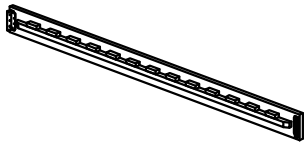
FOOT BED

BX1



SIDE BED

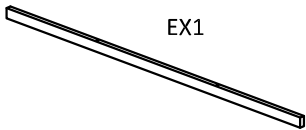
CX2



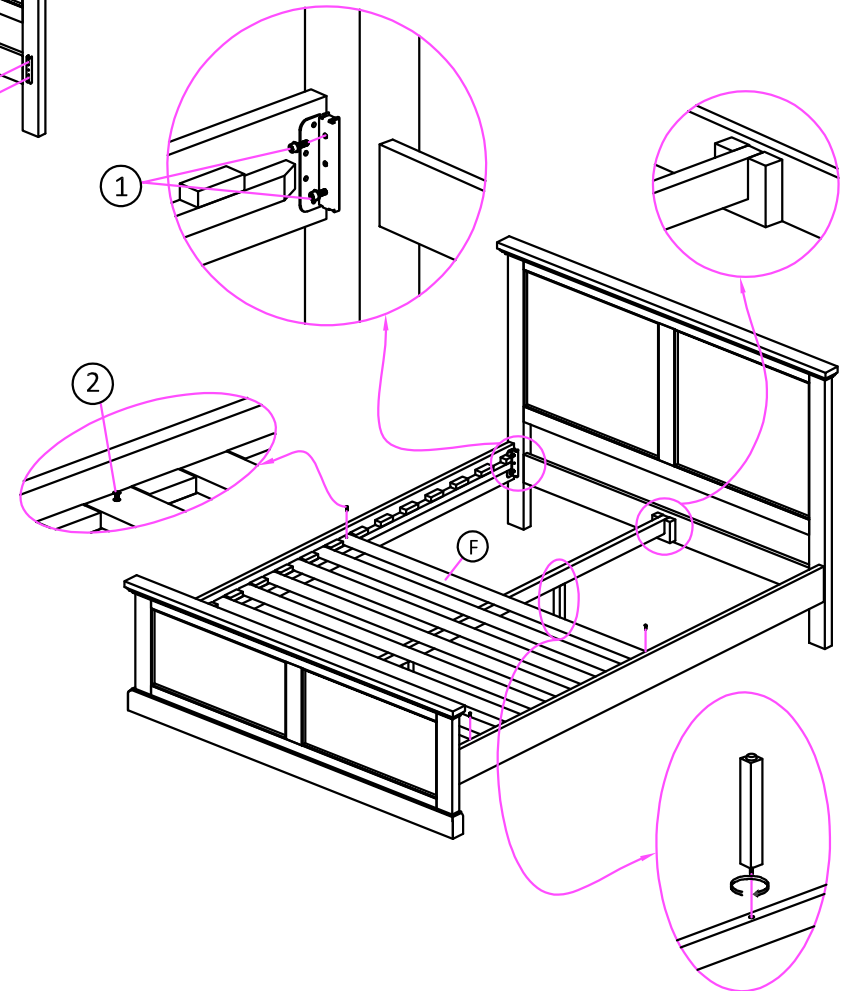
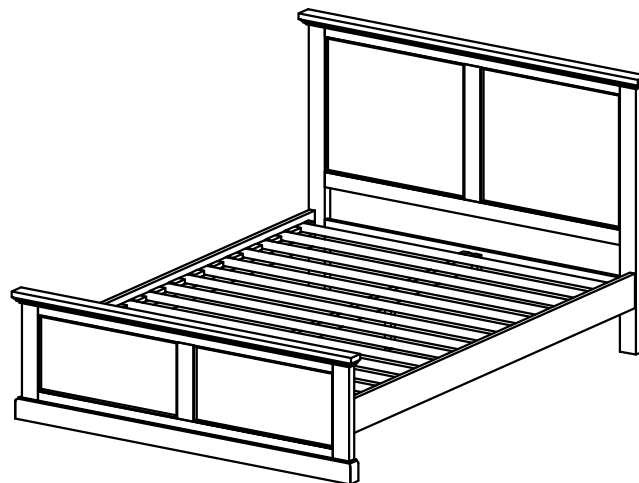
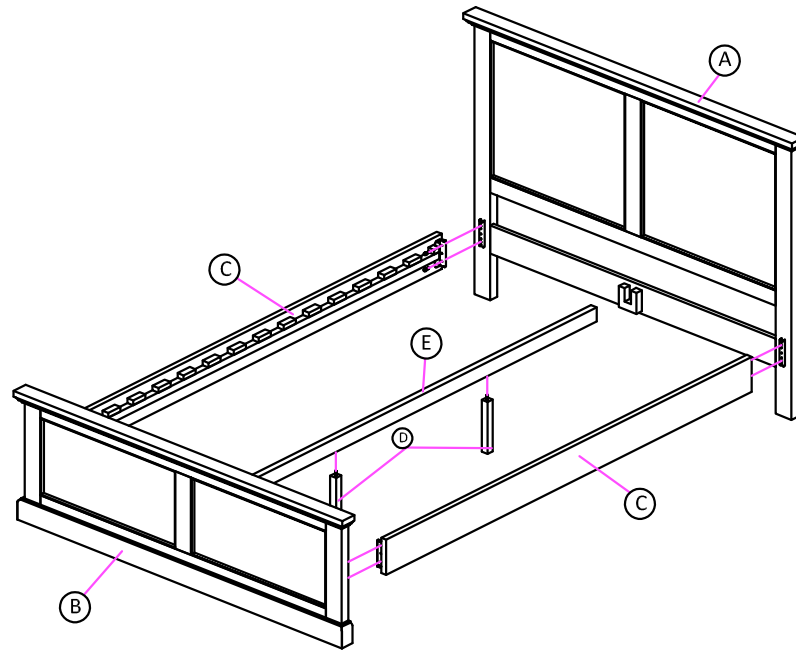
SUPPORT  
DX2






CENTER RAIL  
EX1



SLAT  
FX14



Item	List of Hardware	Q.ty
①	Bolts 	8
②	Screw M4 X 30mm 	6
③	Allen key 	1