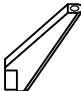
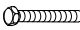




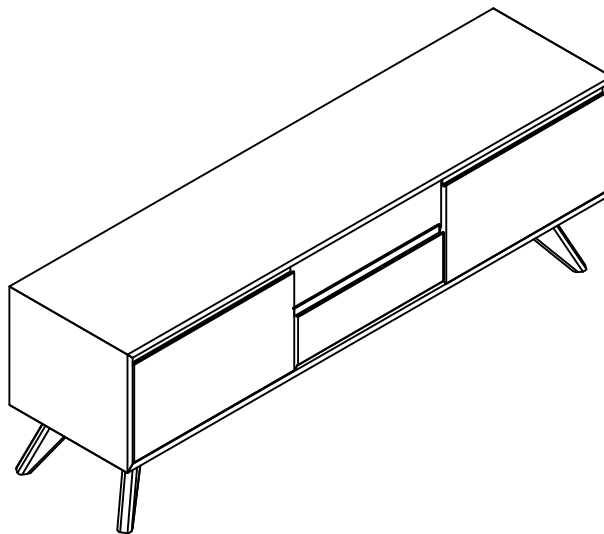
Assembly Instructions

Please read instruction carefully. Remove all wrapping material, staples and packing straps from the carton. See Hardware and furniture part list for guidance. Be sure you have all parts before you start assembling. Place all wooden furniture parts on a clean and flat soft surface, such as carpet or rug to prevent from being scratched.

TOOLS REQUIRED (NOT PROVIDED)	
Phillips screwdriver	

No.	PARTS INCLUDED		Q'ty
A	Legs		4pcs

No.	Hardware list		Q'ty
1		Bolt M8*60	8pcs
2		Lock Washer Ø8	8pcs
3		Flat Washer Ø8	8pcs

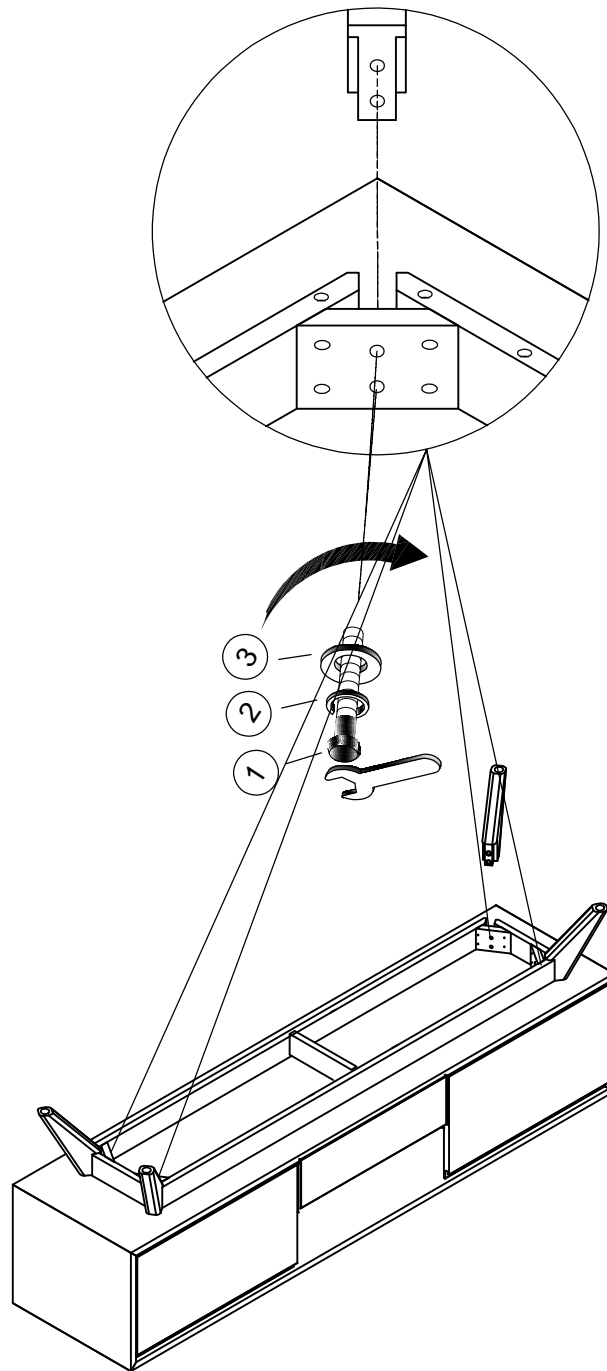


FOR ASSEMBLY:

- First check the content to make sure that nothing is missing
- Sort out the parts and fittings as shown, assemble product step by step.
- It is preferable to rest the product on a soft surface to avoid damage during assembly
- Do not overtighten screws and fittings.
- * You will need a philips screwdriver to complete this assemble.

Assembly Instructions

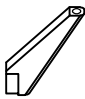
Step 1

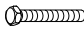

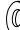


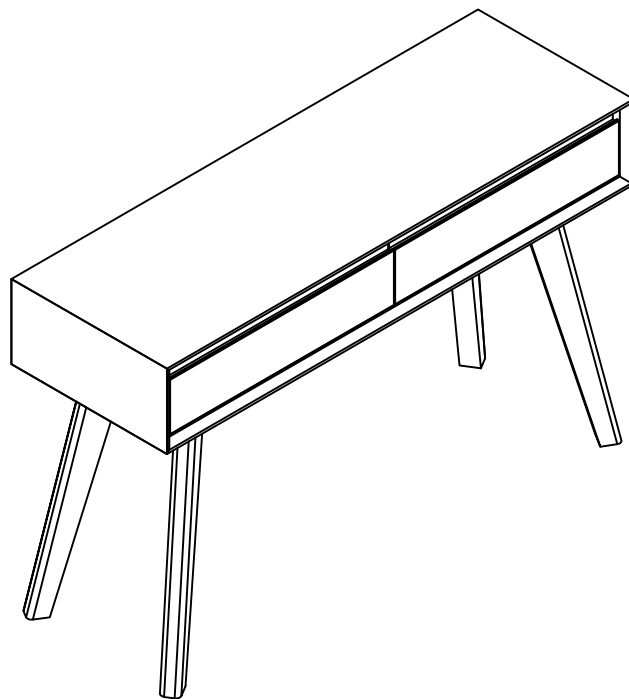
Assembly Instructions

Please read instruction carefully. Remove all wrapping material, staples and packing straps from the carton. See Hardware and furniture part list for guidance. Be sure you have all parts before you start assembling. Place all wooden furniture parts on a clean and flat soft surface, such as carpet or rug to prevent from being scratched.

TOOLS REQUIRED (NOT PROVIDED)	
Phillips screwdriver	

No.	PARTS INCLUDED		Q'ty
A	Legs		4pcs

No.	Hardware list		Q'ty
1		Bolt M8*60	8pcs
2		Lock Washer Ø8	8pcs
3		Flat Washer Ø8	8pcs

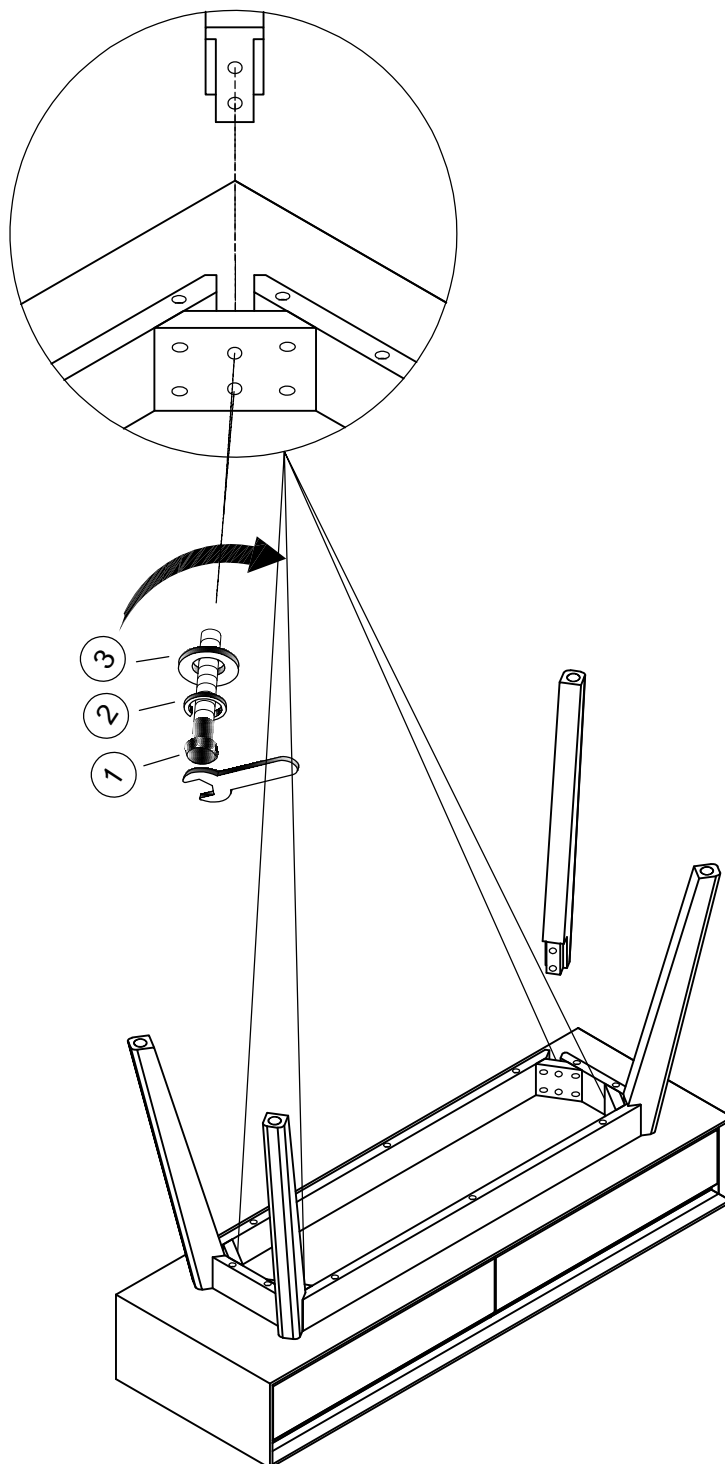


FOR ASSEMBLY:

- First check the content to make sure that nothing is missing
- Sort out the parts and fittings as shown, assemble product step by step.
- It is preferable to rest the product on a soft surface to avoid damage during assembly
- Do not overtighten screws and fittings.
- * You will need a philips screwdriver to complete this assemble.

Assembly Instructions

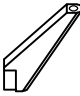
Step 1

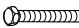




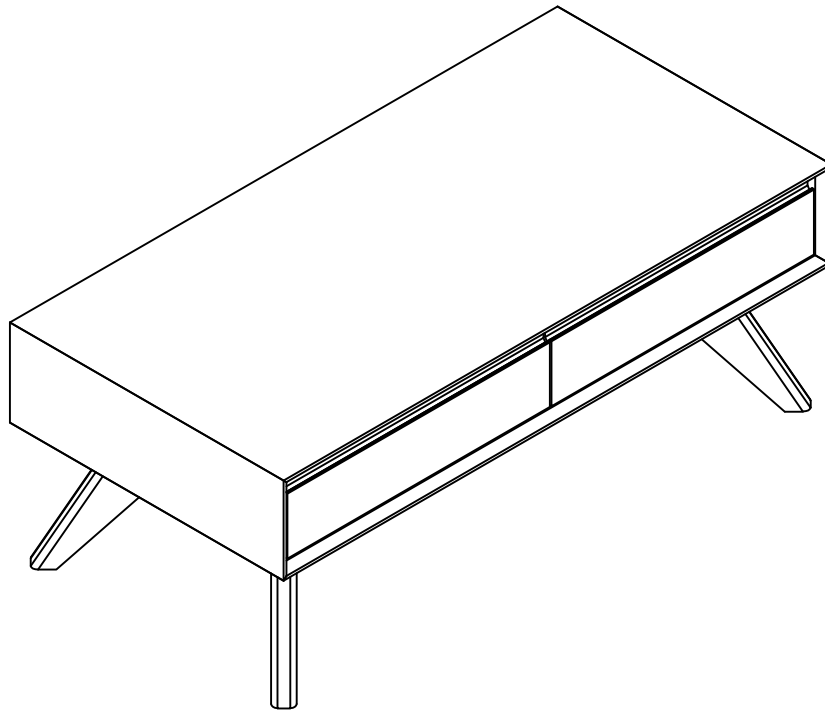
Assembly Instructions

Please read instruction carefully. Remove all wrapping material, staples and packing straps from the carton. See Hardware and furniture part list for guidance. Be sure you have all parts before you start assembling. Place all wooden furniture parts on a clean and flat soft surface, such as carpet or rug to prevent from being scratched.

TOOLS REQUIRED (NOT PROVIDED)	
Phillips screwdriver	

No.	PARTS INCLUDED		Q'ty
A	Legs		4pcs

No.	Hardware list		Q'ty
1		Bolt M8*60	8pcs
2		Lock Washer Ø8	8pcs
3		Flat Washer Ø8	8pcs

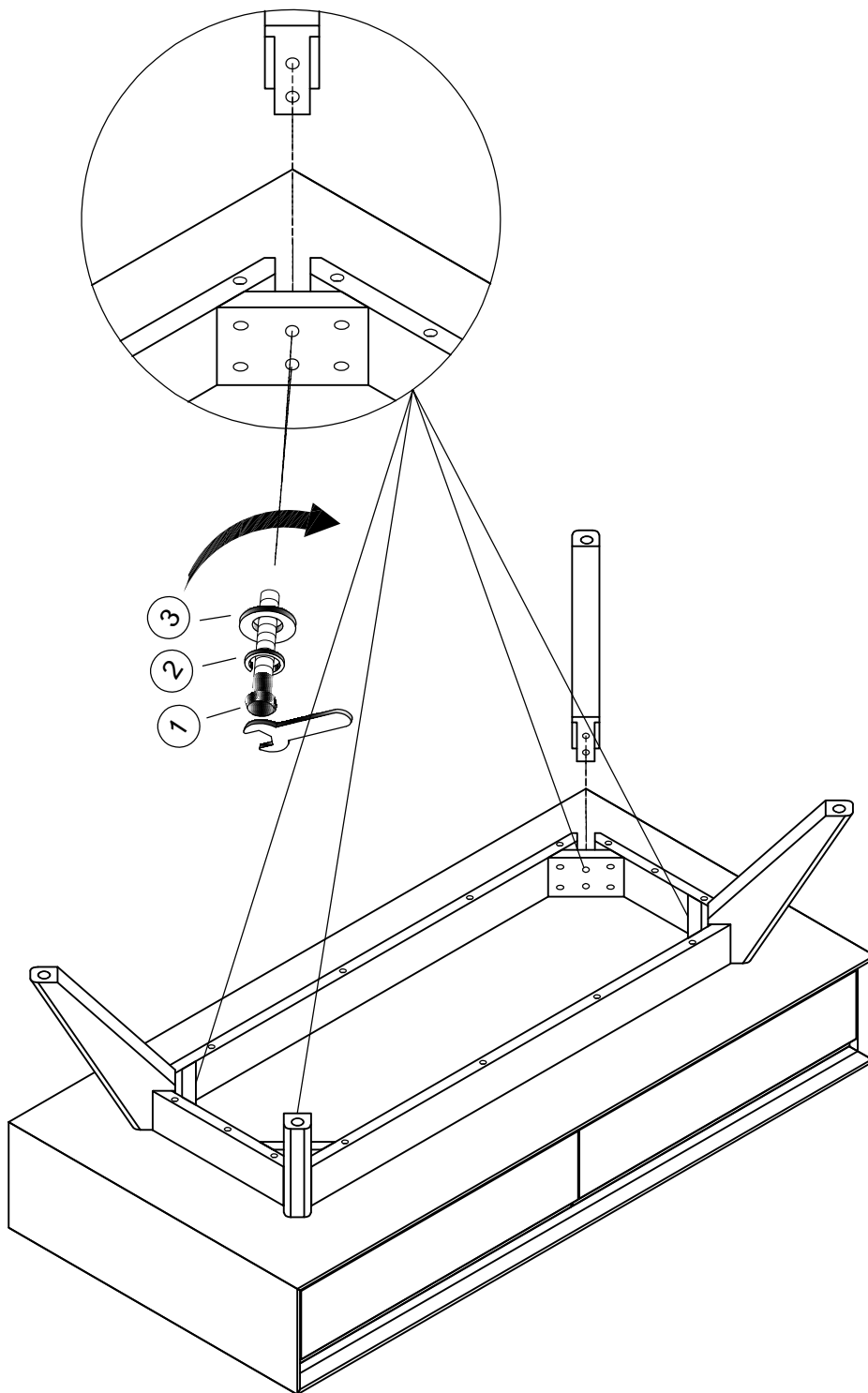


FOR ASSEMBLY:

- First check the content to make sure that nothing is missing
- Sort out the parts and fittings as shown, assemble product step by step.
- It is preferable to rest the product on a soft surface to avoid damage during assembly
- Do not overtighten screws and fittings.
- * You will need a philips screwdriver to complete this assemble.

Assembly Instructions

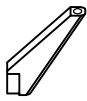
Step 1

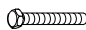




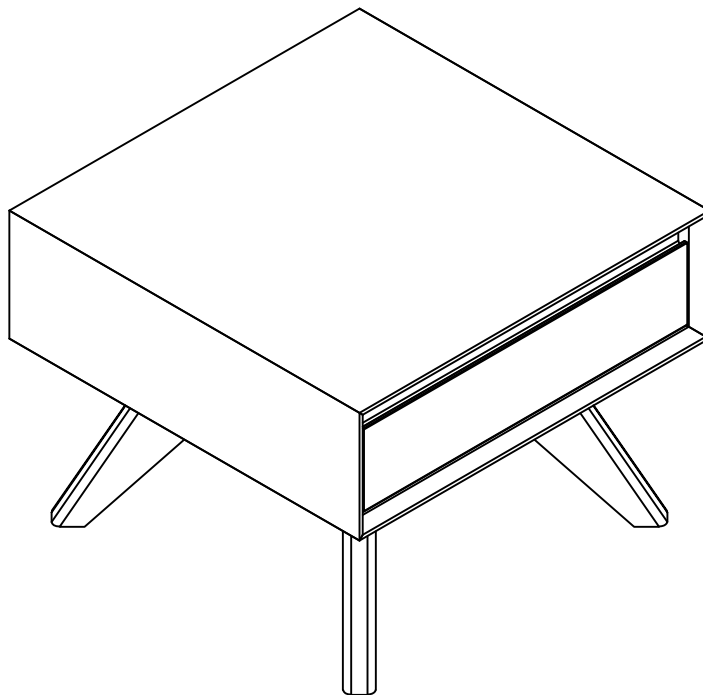
Assembly Instructions

Please read instruction carefully. Remove all wrapping material, staples and packing straps from the carton. See Hardware and furniture part list for guidance. Be sure you have all parts before you start assembling. Place all wooden furniture parts on a clean and flat soft surface, such as carpet or rug to prevent from being scratched.

TOOLS REQUIRED (NOT PROVIDED)	
Phillips screwdriver	

No.	PARTS INCLUDED		Q'ty
A	Legs		4pcs

No.	Hardware list		Q'ty
1		Bolt M8*60	8pcs
2		Lock Washer Ø8	8pcs
3		Flat Washer Ø8	8pcs

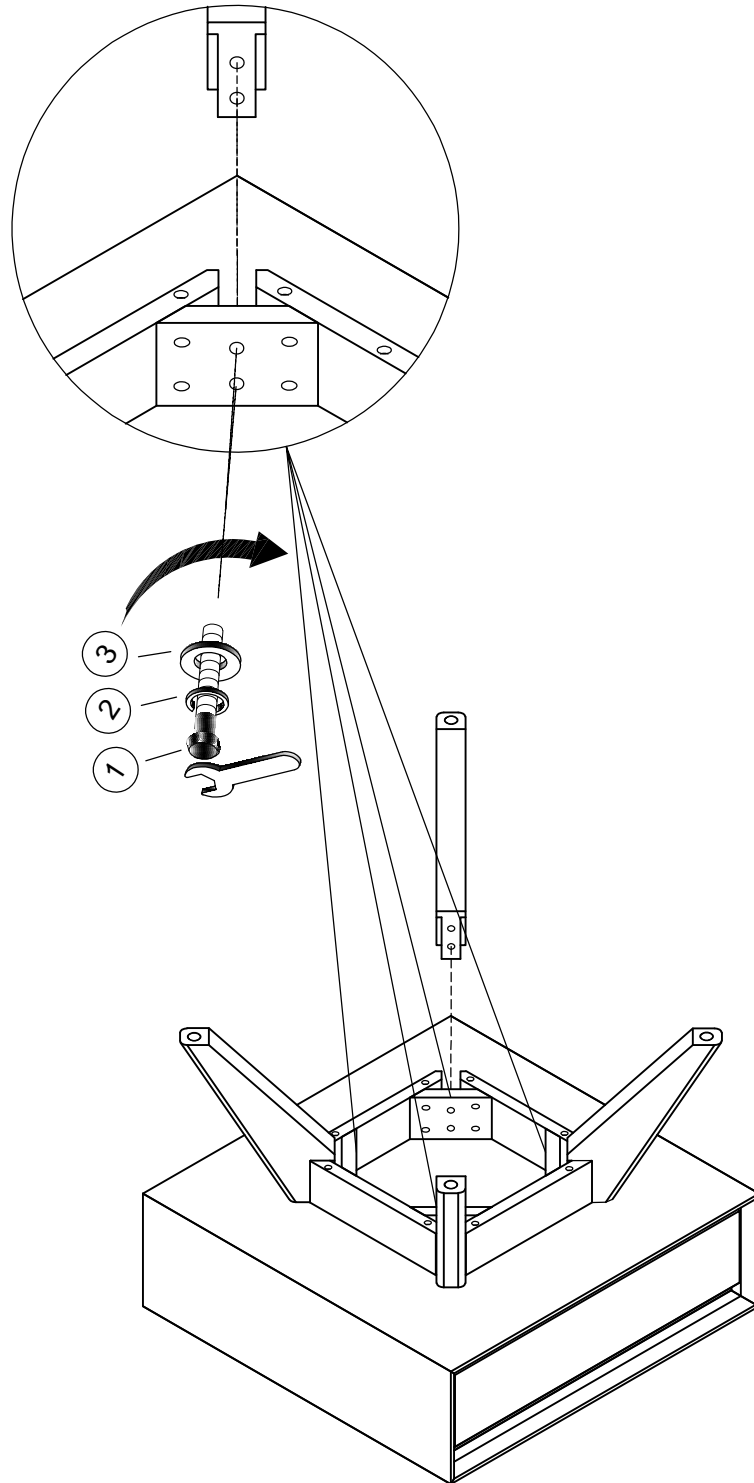


FOR ASSEMBLY:

- First check the content to make sure that nothing is missing
- Sort out the parts and fittings as shown, assemble product step by step.
- It is preferable to rest the product on a soft surface to avoid damage during assembly
- Do not overtighten screws and fittings.
- * You will need a philips screwdriver to complete this assemble.

Assembly Instructions

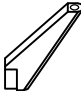
Step 1




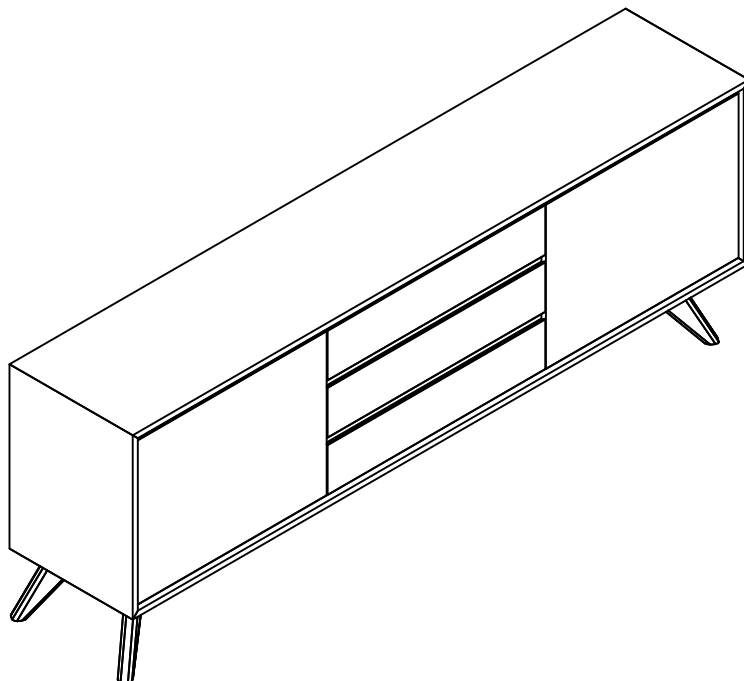
Assembly Instructions

Please read instruction carefully. Remove all wrapping material, staples and packing straps from the carton. See Hardware and furniture part list for guidance. Be sure you have all parts before you start assembling. Place all wooden furniture parts on a clean and flat soft surface, such as carpet or rug to prevent from being scratched.

TOOLS REQUIRED (NOT PROVIDED)	
Phillips screwdriver	

No.	PARTS INCLUDED		Q'ty
A	Legs		4pcs

No.	Hardware list		Q'ty
1		Bolt M8*60	8pcs
2		Lock Washer Ø8	8pcs
3		Flat Washer Ø8	8pcs

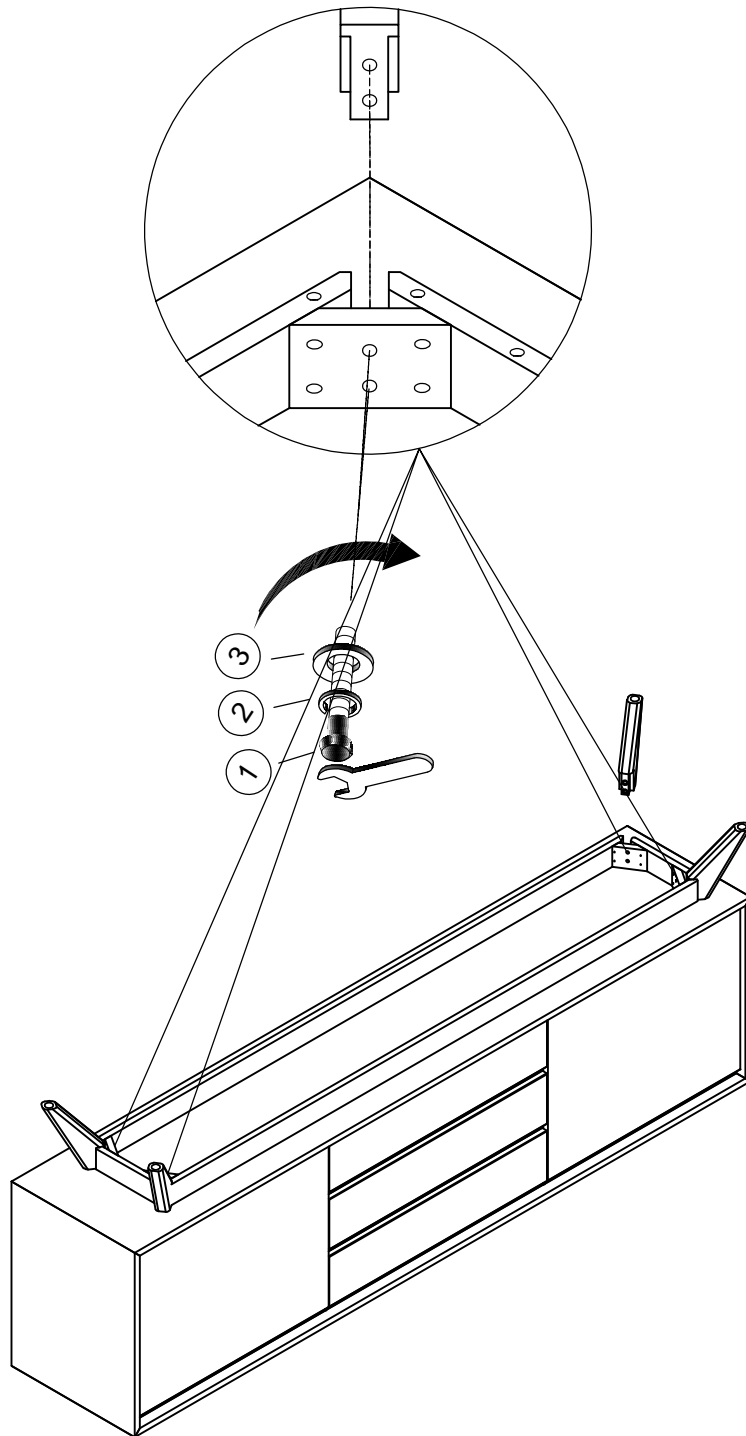


FOR ASSEMBLY:

- First check the content to make sure that nothing is missing
- Sort out the parts and fittings as shown, assemble product step by step.
- It is preferable to rest the product on a soft surface to avoid damage during assembly
- Do not overtighten screws and fittings.
- * You will need a philips screwdriver to complete this assemble.

Assembly Instructions


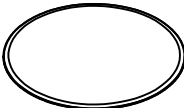
Step 1

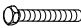


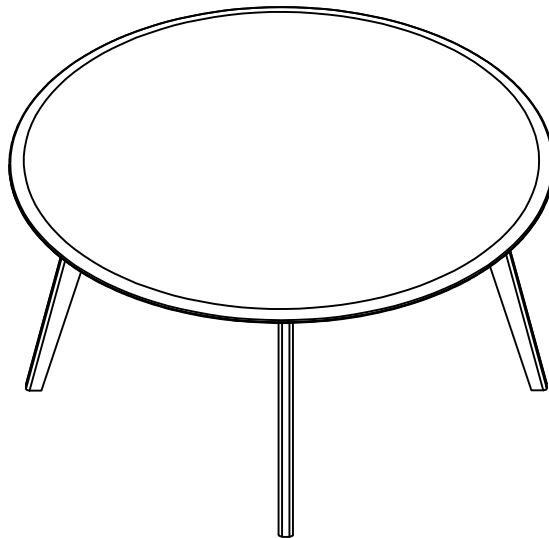
Assembly Instructions

Please read instruction carefully. Remove all wrapping material, staples and packing straps from the carton. See Hardware and furniture part list for guidance. Be sure you have all parts before you start assembling. Place all wooden furniture parts on a clean and flat soft surface, such as carpet or rug to prevent from being scratched.

TOOLS REQUIRED (NOT PROVIDED)	
Phillips screwdriver	

No.	PARTS INCLUDED		Q'ty
A	Legs		4pcs
B	Top		1pc

No.	Hardware list		Q'ty
1		Bolt M8*50	8pcs
2		Lock Washer Ø8	8pcs
3		Flat Washer Ø8	8pcs



FOR ASSEMBLY:

- First check the content to make sure that nothing is missing
- Sort out the parts and fittings as shown, assemble product step by step.
- It is preferable to rest the product on a soft surface to avoid damage during assembly
- Do not overtighten screws and fittings.
- * You will need a philips screwdriver to complete this assemble.

Assembly Instructions

Step 1

